

Baseboard System

5

5



- *Baseboards and Mouldings*
- *Baseboard Connection Valves and Adapters*

KOMFORT PLUS Mounting Bracket



P. 195

Baseboard N



P. 196

Outer Corner N



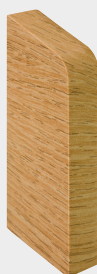
P. 197

Inner Corner N



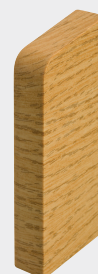
P. 197

End Piece, Left N



P. 198

End Piece, Right N



P. 198

Butt Connector N



P. 199

Baseboard T with Adhesive Strips for Carpets



P. 200

Outer Corner T



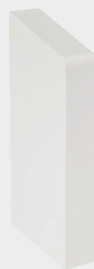
P. 201

Inner Corner T



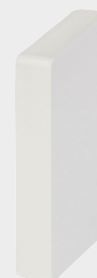
P. 201

End Piece, Left T

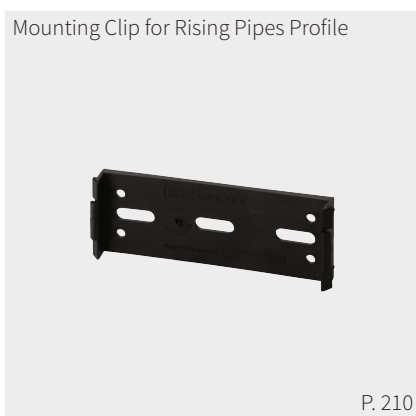
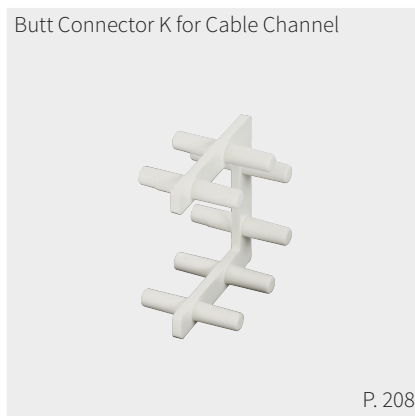
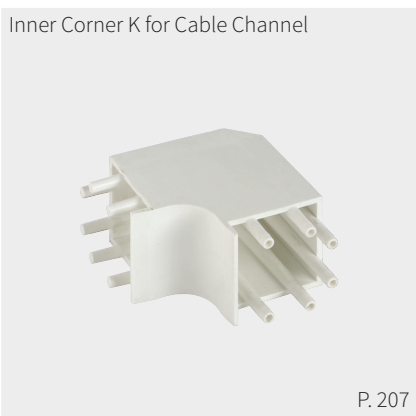
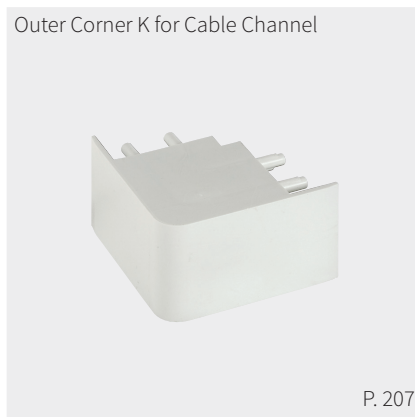
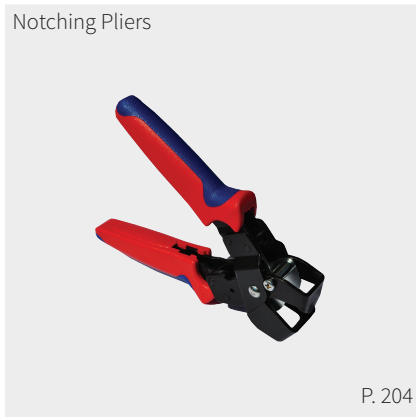


P. 202

End Piece, Right T



P. 202



Inspection Flap



P. 212

VK 31 Euro Taper Connection Kit



P. 214

VK 31 Connection Kit with Press Connection



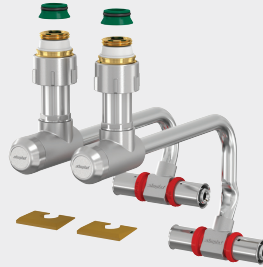
P. 215

Baseboard Connection with Press Connection



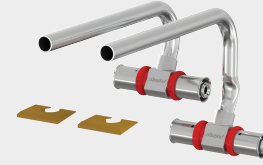
P. 216

VK 31 UNI Connection Kit U/TH/F/H



P. 217

UNI Baseboard Connection U/TH/F/H



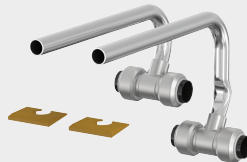
P. 218

VK 31 Connection Kit with TECTITE Push-fit Connection



P. 219

Baseboard Connection with TECTITE Push-fit Connection



P. 220

VK 31 Connection Kit with Female Thread



P. 221

Baseboard Connection with Female Thread



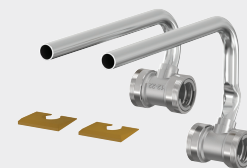
P. 222

VK 31 SIROCON Connection Kit



P. 223

SIROCON Baseboard Connection



P. 225

Telescopic Angle Valve Type EV1



P. 226

Telescopic Angle Valve with Drain



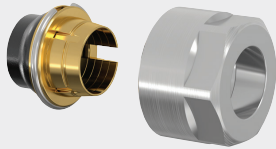
P. 227

SL-MULTI Connection Kit



P. 228

Compression Adapters



P. 229

Blind Cap



P. 231

SIROCON Adapters

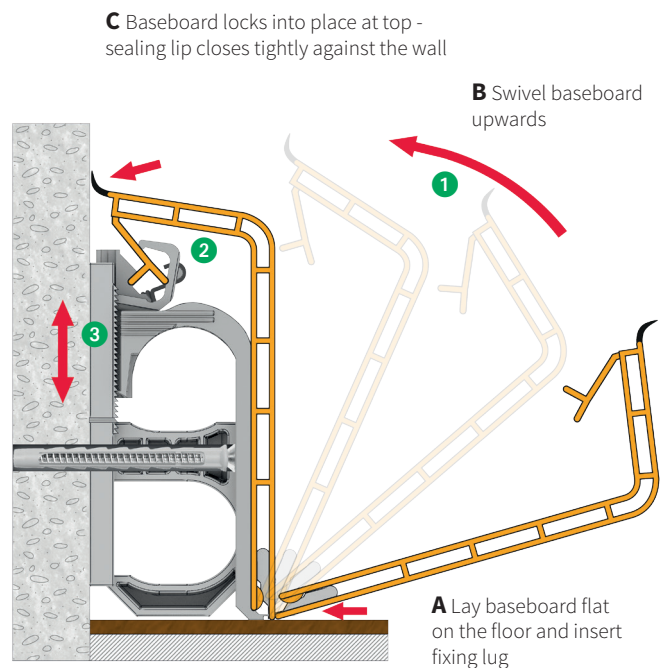


P. 202

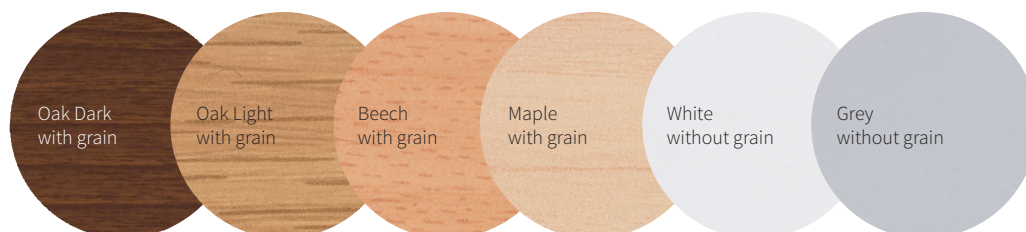
BASEBOARDS AND MOULDINGS

KOMFORT PLUS Mounting Bracket

- Bracket for new installations and retrofits
- Folding mechanism **1** and spring claw **2** for convenient installation
- Spring catch for convenient height adjustment **3** of up to 22 mm independently of the pipe system
- No need for angle or special brackets
- Use with pipe outer diameters up to 22 mm
- Wall-mounted using 8 mm impact anchors
- With additional corner cut-out for retrofit of low voltage cables (e.g. phone, IT cables)



Decor Colours



Decor white and grey with a film to protect against dirt (remove after installation!)

Mouldings



Two plug connectors are included for each corner mould.

KOMFORT PLUS MOUNTING BRACKET

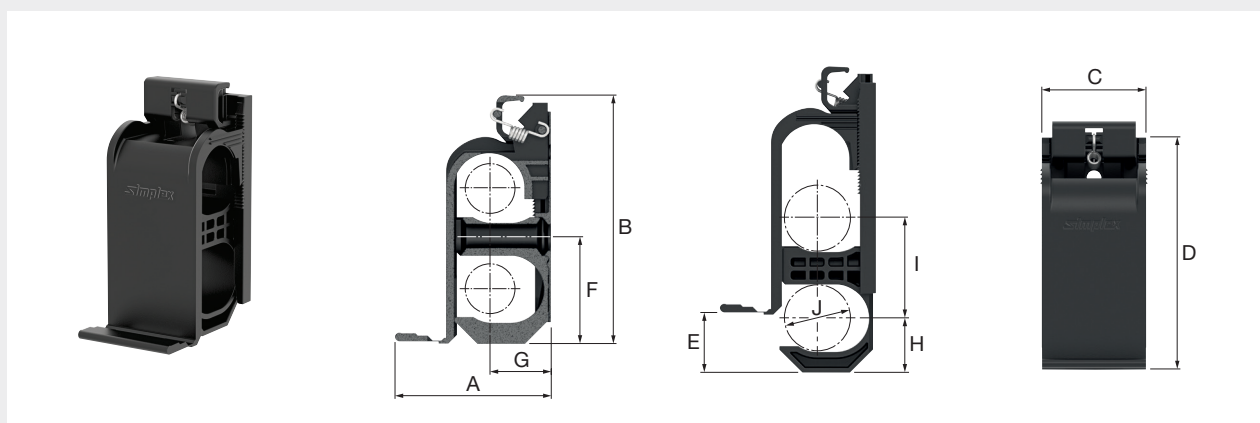
Mounting bracket for fixing the Simplex baseboards using a folding mechanisms, serves as pipe clamp and baseboard holder, suitable for pipe outside diameters up to 22 mm, with film hinge and spring clip for easy installation and even pressing of the baseboard against the wall, spring catch for convenient height adjustment, corner cut-out allows for additional installation of low voltage lines (e.g. telephone or computer lines) behind the baseboard, installation of mounting bracket possible using knock-in anchor D 8 mm or appropriate screws. Please order knock-in anchors separately (article no. F74068 or F74070).


- Components made of plastic
- For new installations or with existing pipe installation
- Folding mechanism and spring claw for convenient installation
- Spring catch for convenient height adjustment up to 22 mm
- No need for angle brackets or special brackets

→ **A solution for the installation of low voltage cables in domestic installations see mounting bracket K!**

KOMFORT PLUS Mounting Bracket

PG = 770



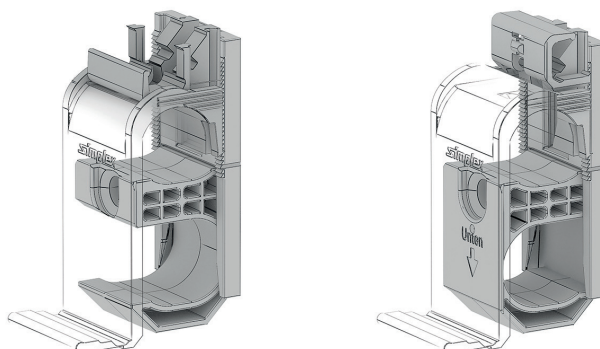
Type	Version		Article no.
KOMFORT PLUS Bracket	mounting before or after pipe installation	25	F72003



Dimensions

Type	Dimensions [mm]									
	A	B	C	D	E	F	G	H	I	J (Ø)
KOMFORT PLUS Bracket	54	86	36	80.3	-5 up to +17	37.5	21	19	35	12 - 22

Use prior to pipe installation or with existing pipe installation



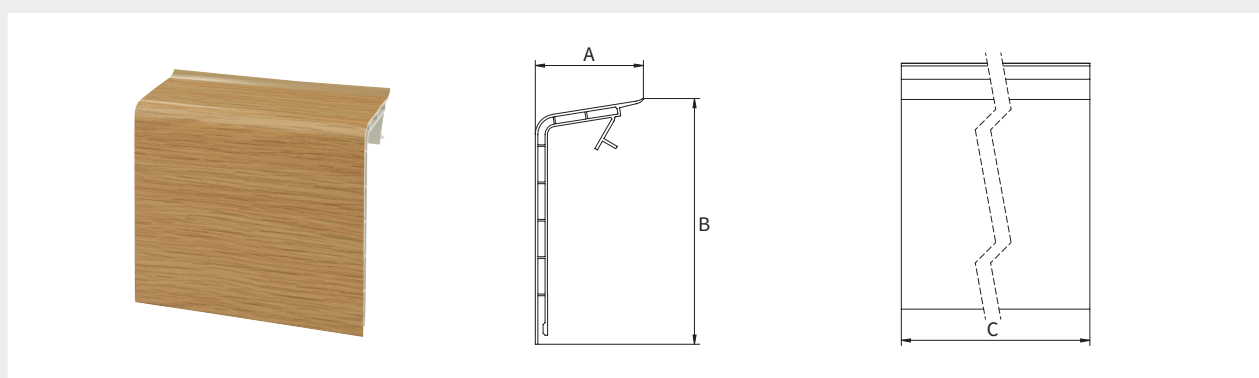
BASEBOARD N


Decorative PVC trims with adhesive decorative film, sturdy plastic hollow-chamber profile with soft sealing lip to the wall, white and grey baseboard with a protective film to protect against dirt (remove after installation!), profile length 4 m (F70101 profile length 2 m). Sold only as one colourway/style in the relevant box size!

- A variety of decor options
 - Easy swivel mounting with spring lock
 - Even long elements can be installed by one person
 - Complete assortment
 - Connection valves for all applications
-
- Components made of plastic
 - Fire protection class 2

Baseboard N

PG = 770



Type	Version	Dimensions [mm]				Article no.
		A	B	C		
Baseboard - W	white ¹	44	97	4000	24 m	F70001.1
Baseboard - G	grey ²	44	97	4000	24 m	F70002.1
Baseboard - OL	oak light	44	97	4000	24 m	F70003.1
Baseboard - OD	oak dark	44	97	4000	24 m	F70004.1
Baseboard - B	beech	44	97	4000	24 m	F70005.1
Baseboard - M	maple	44	97	4000	24 m	F70008.1
Baseboard - W 2 m	white ¹	44	97	2000	10 m	F70101

¹ similar to RAL 9016, ² similar to RAL 7035



MOULDINGS FOR BASEBOARD N

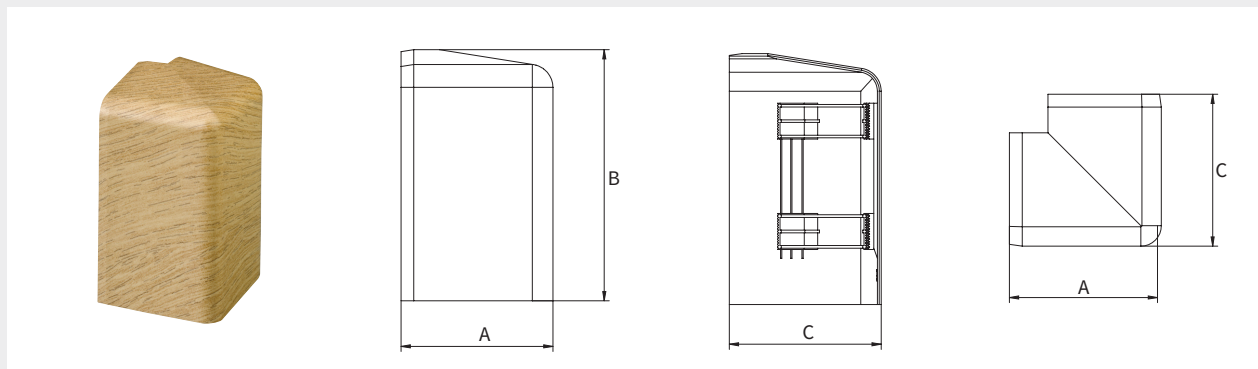
- Components made of plastic


→ *Plug-in connectors for moduled corners can be reordered!*

Outer Corner N

PG = 770

Outer corner for Simplex baseboard N.



Type	Version	Dimensions [mm]				Article no.
		A	B	C		
Outer Corner - W	white ¹	59.2	98	59.2	10	F70015
Outer Corner - G	grey ²	59.2	98	59.2	10	F70016
Outer Corner - OL	oak light	59.2	98	59.2	10	F70017
Outer Corner - OD	oak dark	59.2	98	59.2	10	F70018
Outer Corner - B	beech	59.2	98	59.2	10	F70019
Outer Corner - M	maple ³	59.2	98	59.2	10	F70022

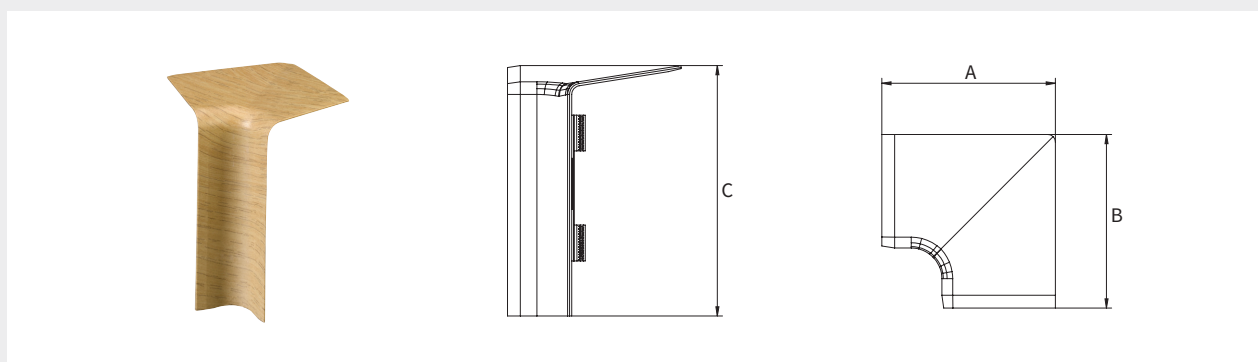
¹ similar to RAL 9016, ² similar to RAL 7035, ³ without grain




Inner Corner N

PG = 770

Inner corner for Simplex baseboard N.



Type	Version	Dimensions [mm]				Article no.
		A	B	C		
Inner Corner - W	white ¹	68	68	98	10	F70031
Inner Corner - G	grey ²	68	68	98	10	F70032
Inner Corner - OL	oak light	68	68	98	10	F70033
Inner Corner - OD	oak dark	68	68	98	10	F70034
Inner Corner - B	beech	68	68	98	10	F70035
Inner Corner - M	maple ³	68	68	98	10	F70038

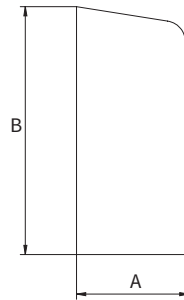
¹ similar to RAL 9016, ² similar to RAL 7035, ³ without grain



End Piece, Left N

PG = 770

End piece for Simplex baseboard N.



Type	Version	Dimensions [mm]				Article no.
		A	B	C		
End Piece left - W	white ¹	44	97	15	10	F70045
End Piece left - G	grey ²	44	97	15	10	F70046
End Piece left - OL	oak light	44	97	15	10	F70047
End Piece left - OD	oak dark	44	97	15	10	F70048
End Piece left - B	beech	44	97	15	10	F70049
End Piece left - M	maple ³	44	97	15	10	F70052

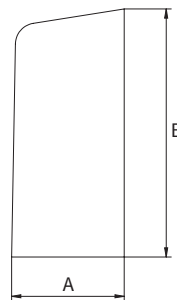
¹ similar to RAL 9016, ² similar to RAL 7035, ³ without grain



End Piece, Right N

PG = 770

End piece for Simplex baseboard N.



Type	Version	Dimensions [mm]				Article no.
		A	B	C		
End Piece right - W	white ¹	44	97	15	10	F70061
End Piece right - G	grey ²	44	97	15	10	F70062
End Piece right - OL	oak light	44	97	15	10	F70063
End Piece right - OD	oak dark	44	97	15	10	F70064
End Piece right - B	beech	44	97	15	10	F70065
End Piece right - M	maple ³	44	97	15	10	F70068

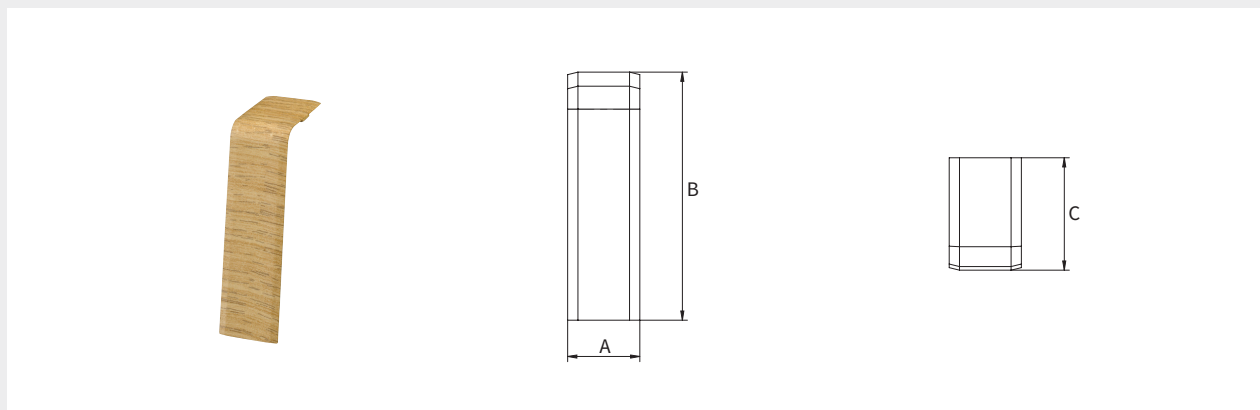
¹ similar to RAL 9016, ² similar to RAL 7035, ³ without grain




Butt Connector N

PG = 770

Butt connector for Simplex baseboard N.



5

Type	Version	Dimensions [mm]				Article no.
		A	B	C		
Butt Connector - W	white ¹	28.2	97	44	10	F70075
Butt Connector - G	grey ²	28.2	97	44	10	F70076
Butt Connector - OL	oak light	28.2	97	44	10	F70077
Butt Connector - OD	oak dark	28.2	97	44	10	F70078
Butt Connector - B	beech	28.2	97	44	10	F70079
Butt Connector - M	maple ³	28.2	97	44	10	F70082

¹ similar to RAL 9016, ² similar to RAL 7035, ³ without grain



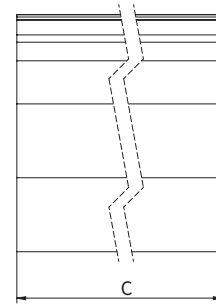
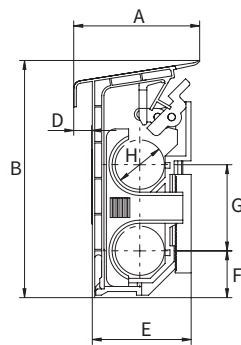
BASEBOARD T WITH ADHESIVE STRIPS FOR CARPETS


Decorative PVC trims with adhesive decorative film and adhesive strip for fixing the carpet, sturdy plastic hollow-chamber profile with soft sealing lip to the wall, white baseboard with a protective film to protect against dirt (remove after installation!), profile length 4 m. Sold only in the relevant box size!

- Easy swivel mounting with spring lock
 - Even long elements can be installed by one person
 - Complete assortment
 - Connection valves for all applications
-
- Components made of plastic
 - Fire protection class 2

Baseboard T with Adhesive Strips for Carpets

PG = 770



Type	Version	Dimensions [mm]									Article no.
		A	B	C	D	E	F	G	H		
Baseboard T - W	white ¹	51.1	96.4	4000	7.2	40.2	19	35	12 - 22	24 m	F71001.1

¹ similar to RAL 9016



MOULDINGS FOR BASEBOARD T

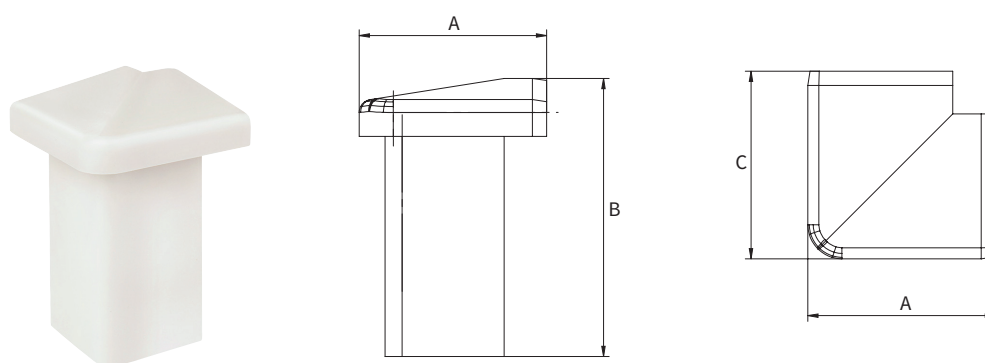
- Components made of plastic


→ *Plug-in connectors for moduled corners can be reordered!*

Outer Corner T

PG = 770

Outer corner for Simplex baseboard T.



Type	Version	Dimensions [mm]				Article no.
		A	B	C		
Outer Corner T - W	white ¹	66	98	66	10	F71015

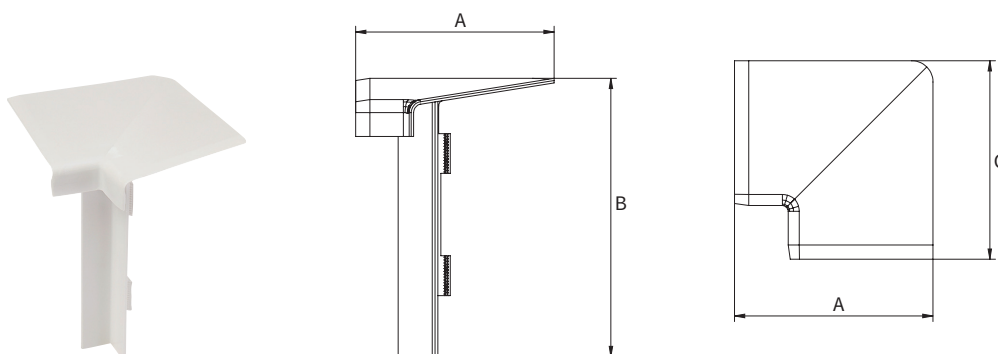
¹ similar to RAL 9016




Inner Corner T

PG = 770

Inner corner for Simplex baseboard T.



Type	Version	Dimensions [mm]				Article no.
		A	B	C		
Inner Corner T - W	white ¹	70	98	70	10	F71031

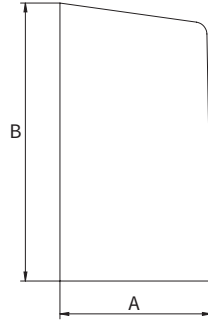
¹ similar to RAL 9016




End Piece, Left T

PG = 770

End piece for Simplex baseboard T.



Type	Version	Dimensions [mm]				Article no.
		A	B	C		
End Piece left T - W	white ¹	52.2	96	15	10	F71045

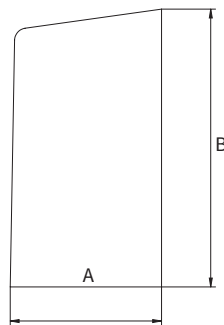
¹ similar to RAL 9016




End Piece, Right T

PG = 770

End piece for Simplex baseboard T.



Type	Version	Dimensions [mm]				Article no.
		A	B	C		
End Piece right T - W	white ¹	52.2	96	15	10	F71061

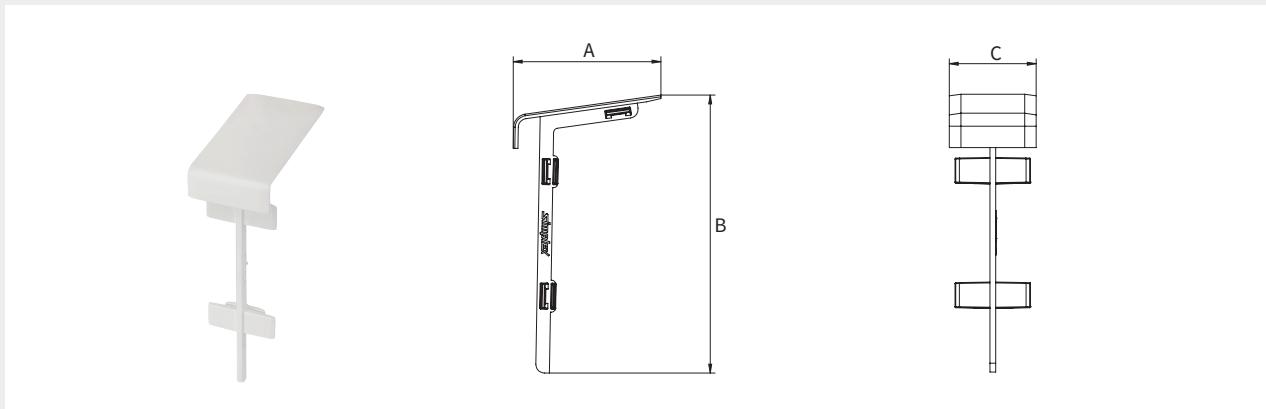
¹ similar to RAL 9016




Butt Connector T PG = 770

Butt connector for Simplex baseboard T.

5



Type	Version	Dimensions [mm]				Article no.
		A	B	C		
Butt Connector T - W	white ¹	51	96	30	10	F71075

¹ similar to RAL 9016



MOUNTING ACCESSORIES FOR BASEBOARD

Notching Pliers

PG = 922



Notching pliers for cutting the baseboard where the pipe passes through.

- Material: Steel

Type	Version		Article no.
Notching Pliers	for baseboards	1	F13982




Nail Anchor

PG = 770



For fastening Simplex baseboard brackets and Simplex rising pipe profiles, with countersunk head and screw nail, required: 1 pc. per bracket.

- Material: Galvanised steel, plastic

Type	Dimension [mm]	Suitable for		Article no.
Nail Anchor - 50	6 x 50	mounting bracket K and rising pipe profile	50	F74079
Nail Anchor - 80	8 x 80	KOMFORT PLUS mounting bracket	50	F74068
Nail Anchor - 100	8 x 100	KOMFORT PLUS mounting bracket	50	F74070




Countersunk Head Screw

PG = 770



For fastening Simplex baseboard bracket K and Simplex rising pipe profiles, Phillips screw, used with anchor F74094, required: 1 pc. per bracket.

- Material: Galvanised steel

Type	Dimension [mm]	Suitable for		Article no.
Countersunk Head Screw	4.5 x 50	mounting bracket K and rising pipe profile	100	F74080




Anchor

PG = 770



For fastening Simplex baseboard bracket K and Simplex rising pipe profiles, used with countersunk head screw F74080.

- Material: Plastic

Type	Dimension [mm]	Suitable for		Article no.
Anchor	6 x 36	mounting bracket K and rising pipe profile	100	F74094



BASEBOARD SYSTEM WITH ELECTRIC CABLE CHANNEL

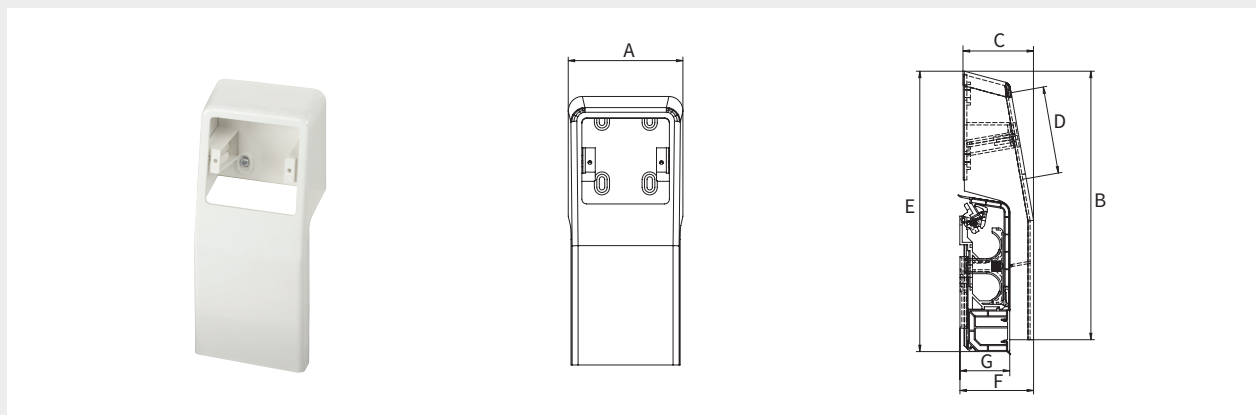
5


Electrical Socket Box for Baseboard System with Electric Cable Channel

PG = 770

Electrical socket box for conventional sockets with cable conduit for socket inserts.

- Components made of plastic



Type	Version	Dimensions [mm]								Article no.
		A	B	C	D	E	F	G		
Electrical Socket Box	white ¹	96.1	225	59	73	235	61.7	41.7	5	F72051

¹ similar to RAL 9016

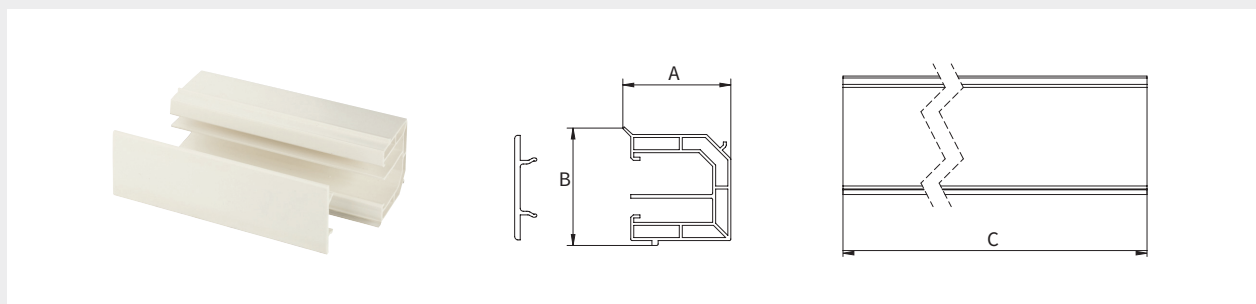



Electric Cable Channel

PG = 770

Electric cable channel for Simplex baseboards, plastic hollow-chamber profile with soft sealing lip to the floor. Reduction of thermal load through double-walled plastic hollow chamber profile. Additional divider for low current or computer lines. Profile length 4 m.

- Components made of plastic



Type	Version	Dimensions [mm]				Article no.
		A	B	C		
Electric Cable Channel	white ¹	36	39	4000	32 m	F73001

¹ similar to RAL 9016

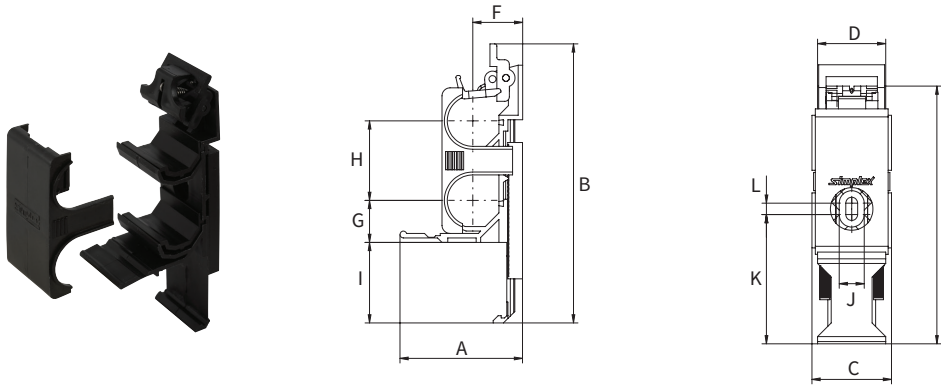



Mounting Bracket K for Baseboard System with Electric Cable Channel

PG = 770

Combination baseboard holder for two pipes up to 22 mm outside diameter and electric cable channel, with spring clip and pipe lock, without fixing screw.

- Components made of plastic



Type	Version		Article no.
Mounting Bracket K	for pipes and electric cable channel	10	F72050



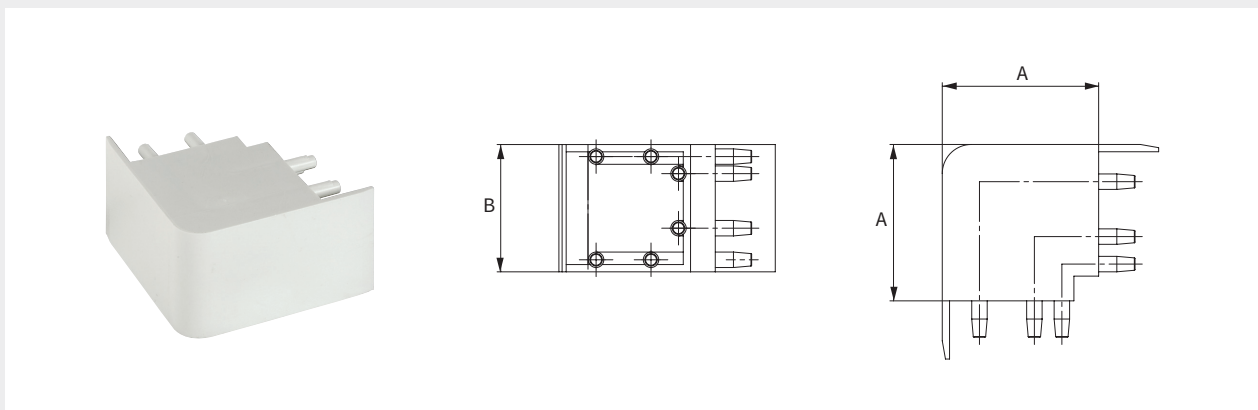
Dimensions


Type	Dimensions [mm]											
	A	B	C	D	E	F	G	H	I	J	K	L
Mounting Bracket K	54	123	35	30	114	23	18	35	36	11	57	5

Outer Corner K for Cable Channel

PG = 770

- Components made of plastic



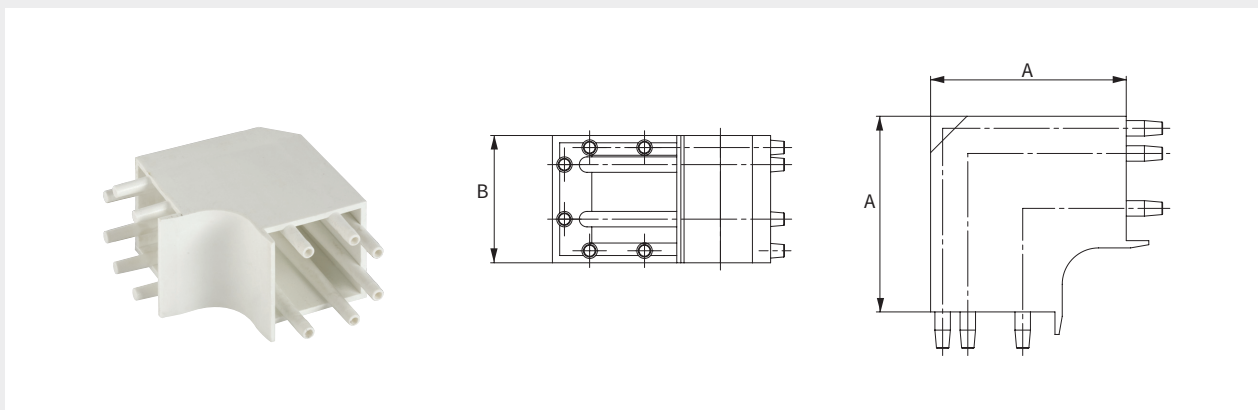
Type	Version	Dimensions [mm]			Article no.
		A	B		
Outer Corner K	white ¹	43	35	10	F73010


¹ similar to RAL 9016

Inner Corner K for Cable Channel

PG = 770

- Components made of plastic



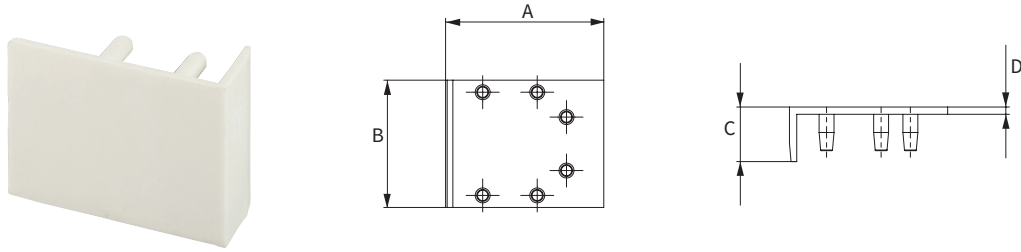
Type	Version	Dimensions [mm]			Article no.
		A	B		
Inner Corner K	white ¹	54	35	10	F73020


¹ similar to RAL 9016

End Piece K for Cable Channel

PG = 770

- Components made of plastic



Type	Version	Dimensions [mm]					Article no.
		A	B	C	D		
End Piece K	white ¹	44	35	15	2	10	F73030

¹ similar to RAL 9016



Butt Connector K for Cable Channel

PG = 770

- Components made of plastic



Type	Version		Article no.
Butt Connector K	white ¹	10	F73040

¹ similar to RAL 9016



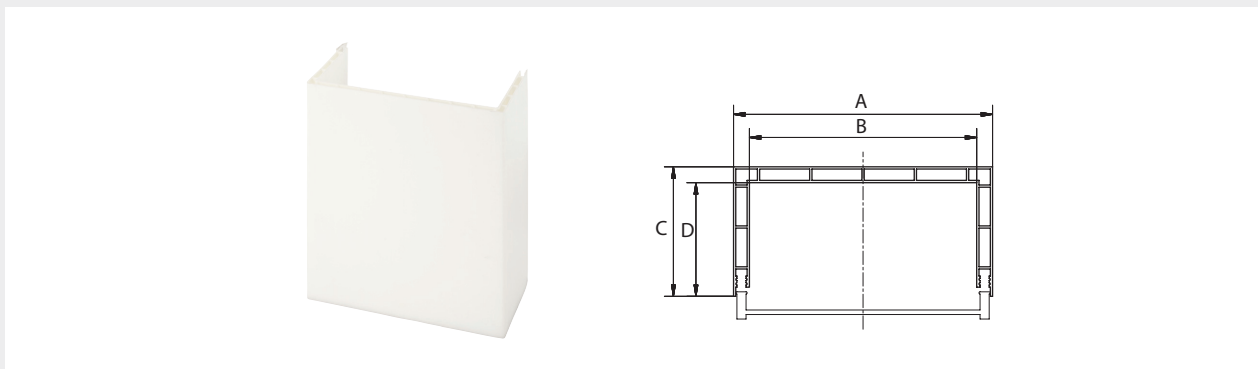
RISING PIPES PROFILES


Rising Pipes Profile 3-sided

PG = 770

For cladding rising pipes, made of plastic hollow-chamber profile, 3 m profile length.
Sold only as one style in the relevant box size!

- Components made of plastic



Type	Version	Dimensions [mm]					Article no.
		A	B	C	D		
3-SST - 100	white ¹	114	100	57	50	6 m	F75001
3-SST - 150	white ¹	164	150	82	75	24 m	F75002
3-SST - 200	white ¹	214	200	108	100	24 m	F75003

¹ similar to RAL 9016

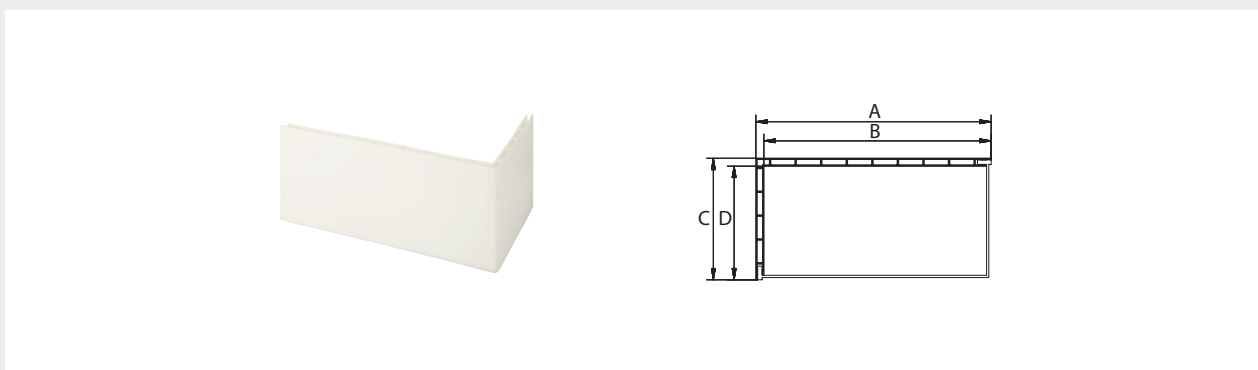



Rising Pipes Profile 2-sided

PG = 770

For cladding rising pipes, made of plastic hollow-chamber profile, 3 m profile length.
Sold only as one style in the relevant box size!

- Components made of plastic



Type	Version	Dimensions [mm]					Article no.
		A	B	C	D		
2-SST - 200	white ¹	207	200	107	100	24 m	F75005

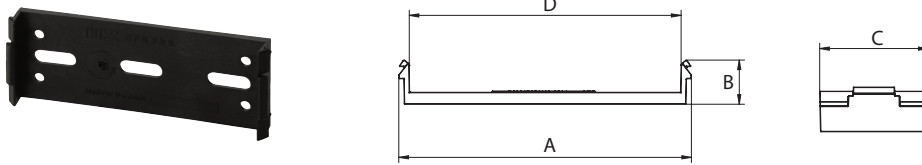
¹ similar to RAL 9016



Mounting Clip for 3-sided Rising Pipes Profile

PG = 770

- Components made of plastic



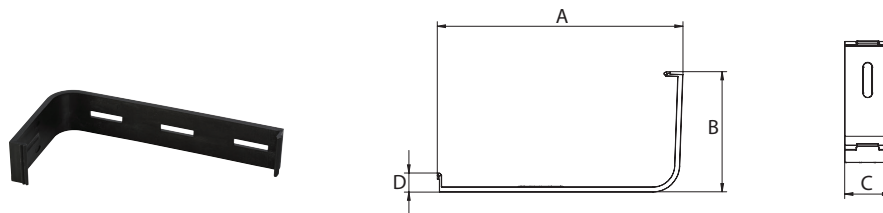
Type	Suitable for Rising Pipe Profile [mm]	Dimensions [mm]					Article no.
		A	B	C	D		
Clip 3-SST 100	100	110.3	16.7	45.5	102.5	1/100	F75090
Clip 3-SST 150	150	162.5	15.7	40.0	154.7	1/50	F75091
Clip 3-SST 200	200	211.6	15.7	40.0	204.0	1/50	F75092




Mounting Clip for 2-sided Rising Pipes Profile

PG = 770

- Components made of plastic



Type	Suitable for Rising Pipe Profile [mm]	Dimensions [mm]					Article no.
		A	B	C	D		
Clip 2-SST 200	200	216	106	40	17	1/50	F75093




Cover for Rising Pipes Profile

PG = 770

- Components made of plastic



Type	Version	Dimensions [mm]				Article no.
		A	B	C		
Cover SST 100	white ¹	50	100	50	10/50	F75784
Cover SST 150	white ¹	75	150	75	10/50	F75884
Cover SST 200	white ¹	100	200	100	10/50	F75984

¹ similar to RAL 9016


Soft Lip

PG = 770

For sticking on the rising pipes profile for wall and floor compensation.

- Components made of plastic



Type	Version	Dimension [mm]				Article no.
		A	B	C		
Soft Lip	white ¹	3000	20	12	3 m	F75085

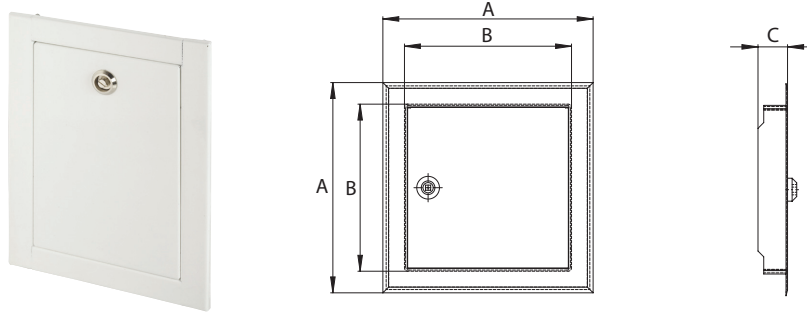
¹ similar to RAL 9016


Inspection Flap

PG = 770

Inspection flap with lock, powder coated, for installation in rising pipes profile.

- Components made of steel



Type	Version	Dimensions [mm]				Article no.
		A	B	C		
Inspection Flap	white ¹	185	147	26	1	F75095

¹ similar to RAL 9016



BASEBOARD CONNECTION VALVES

VK 31 Baseboard Connection Kits

- For radiators with integrated valve (two-pipe system)
- One valve set for 1-2-3-layer radiators with integrated valve with Rp 1/2" female thread or G 3/4" male thread
- With telescopic screw connection with shut off and height and depth adjustment
- Available in 6 versions:



with Euro taper



with press connection
for M and V profile



with press connection
for U, TH, F and H profile



with female thread



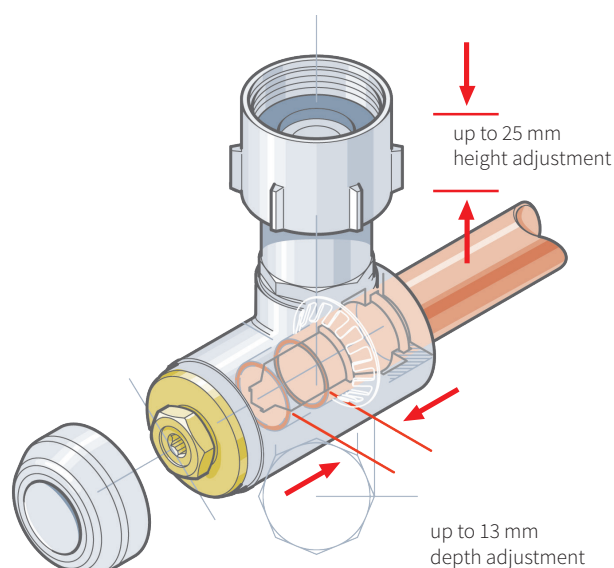
with TECTITE push-fit
technology



with SIROCON connection (in combination
with system adapters for various systems)

Telescopic Angle Valve

- With height and depth adjustment
- Self-sealing connection nipple for radiators with Rp 1/2" female thread and cone insert for radiators with G 3/4" male thread (Euro taper)
- Connecting nuts with axial tolerance compensation for stress-free installation
- Easy installation without chiselling
- Connection can be released at any time with little effort
- With nickel-coloured protective cap
- Rosettes provide clean finish to the baseboard



Telescopic screw connection:
Pipes are simply inserted into the valve and
locked with 13 mm open-end spanner

VK 31 EURO TAPER CONNECTION KIT

Baseboard connection kit for the installation of radiators with integrated valve (two-pipe system), with G 3/4" M Euro taper for the connection of copper, carbon steel, stainless steel, plastic and multilayer composite pipes in conjunction with Simplex compression adapters (F series).

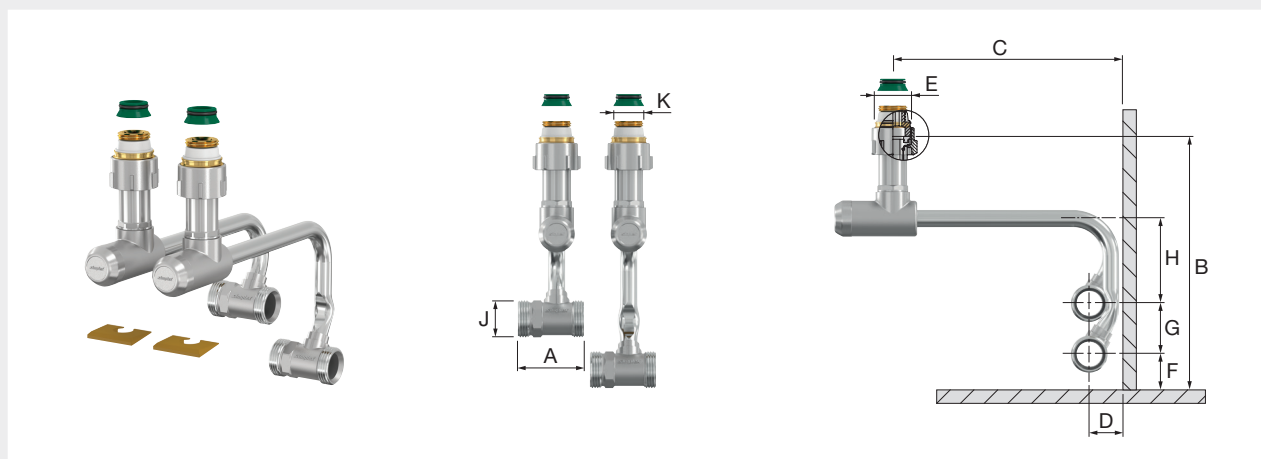
Consisting of:


- 2 pcs. telescopic angle valves with height and depth adjustment
- 1 pc. supply connection with soldered copper bow (nickel-plated) Ø 12 mm
- 1 pc. return connection with soldered copper bow (nickel-plated) Ø 12 mm
- 2 pcs. self-sealing connection nipples for radiators with Rp 1/2" female thread
- 2 pcs. cone inserts for radiators with G 3/4" M male thread
- 2 pcs. ea. covering rosettes in white, beech and oak dark

- Components made of nickel-plated brass
- Sealing materials: EPDM
- Max. operating temp.: 110 °C permanent temperature, 130 °C short-term
- Max. operating pressure: 10 bar

→ **Matching blind caps see Accessories for Baseboard Connection Valves!**

VK 31 Euro Taper Connection Kit PG = 713



Type	E	Connection	J (ET)		Article no.
VK31 ET Connection	G 3/4" F	K G 1/2" M	G 3/4" M	1 / 10	F13468



Dimensions

For radiators with integrated valve with connection	Dimensions [mm]								
	A	B (min.)	B (max.)	C (min.)	C (max.)	D	F	G	H
Rp 1/2"	46	175	200	50	175	21.5	19	35	59
G 3/4" M	46	164	189	50	175	21.5	19	35	59

VK 31 CONNECTION KIT WITH PRESS CONNECTION

Baseboard connection kit for the installation of radiators with integrated valve (two-pipe system), with press connection (M and V profile) for copper, carbon steel and stainless steel pipes.

Consisting of:

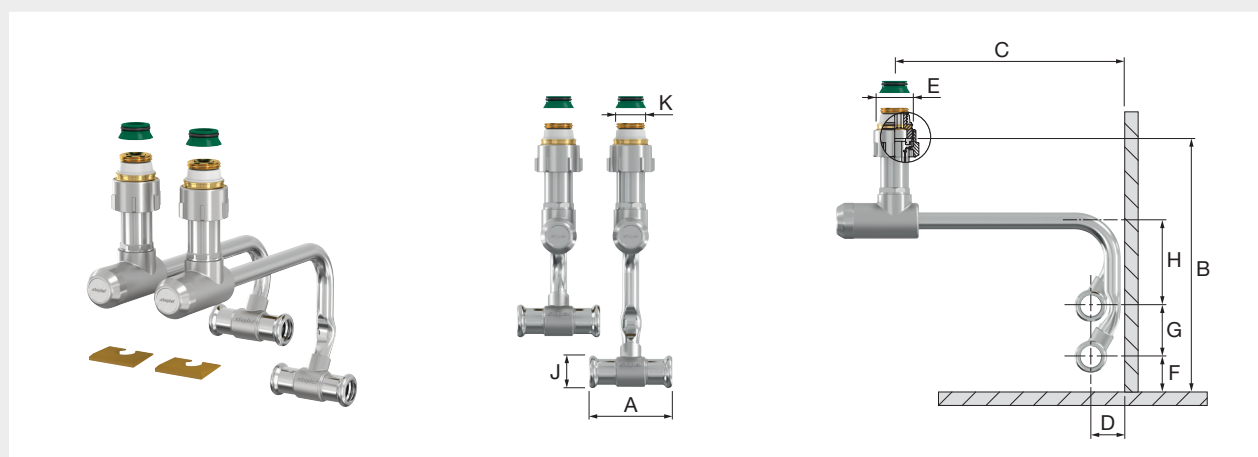
- 2 pcs. telescopic angle valves with height and depth adjustment
- 1 pc. supply connection with soldered copper bow (nickel-plated) Ø 12 mm
- 1 pc. return connection with soldered copper bow (nickel-plated) Ø 12 mm
- 2 pcs. self-sealing connection nipples for radiators with Rp 1/2" female thread
- 2 pcs. cone inserts for radiators with G 3/4" M male thread
- 2 pcs. ea. covering rosettes in white, beech and oak dark


- Components made of nickel-plated brass
- Sealing materials: EPDM
- Max. operating temp.: 110 °C permanent temperature, 130 °C short-term
- Max. operating pressure: 10 bar

→ Matching end plugs see Accessories for Baseboard Connection Valves!

VK 31 Connection Kit with Press Connection

PG = 713



Type	Connection			J [mm]		Article no.
	E	K				
VK31 Connection M/V - 15	G 3/4" F	G 1/2" M		15	1 / 10	F13469
VK31 Connection M/V - 18	G 3/4" F	G 1/2" M		18	1 / 10	F13470
VK31 Connection M/V - 22	G 3/4" F	G 1/2" M		22	1 / 10	F13479



Dimensions

For radiators with integrated valve with connection	Dimensions [mm]								
	A*	B (min.)	B (max.)	C (min.)	C (max.)	D	F	G	H
Rp 1/2"	58 - 68	175	200	50	175	21.5	19	35	59
G 3/4" M	58 - 68	164	189	50	175	21.5	19	35	59

* Dimensions 15 and 18 mm: A = 58 mm, Dimensions 22 mm: A = 68 mm

BASEBOARD CONNECTION WITH PRESS CONNECTION

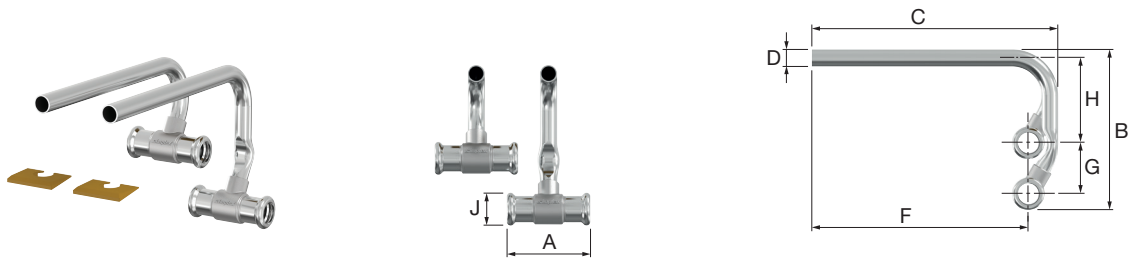
Baseboard connection with press connection for M and V profile, for copper, carbon steel and stainless steel pipes, for radiators with integrated valve (two-pipe system), consisting of:


- 1 pc. supply connection with soldered copper bow (nickel-plated) Ø 12 mm
- 1 pc. return connection with soldered copper bow (nickel-plated) Ø 12 mm
- 2 pcs. ea. covering rosettes in white, beech and oak dark
- Components made of nickel-plated brass
- Sealing materials: EPDM
- Max. operating temp.: 110 °C permanent temperature, 130 °C short-term
- Max. operating pressure: 10 bar

→ **Matching end plugs see Accessories for Baseboard Connection Valves!**

Baseboard Connection with Press Connection

PG = 713



Type	Connection [mm]		Dimensions [mm]							Article no.
	D (pipe end)	J	A	B	C	F	G	H		
Connection M/V - 15	12	15	58	111.5	171	150	35	59	1 / 10	F13471
Connection M/V - 18	12	18	58	113.0	171	150	35	59	1 / 10	F13472



VK 31 UNI CONNECTION KIT U/TH/F/H

Baseboard connection kit for the installation of radiators with integrated valve (two-pipe system), with press connection (U, TH, F and H profile) for plastic and multilayer composite pipes.

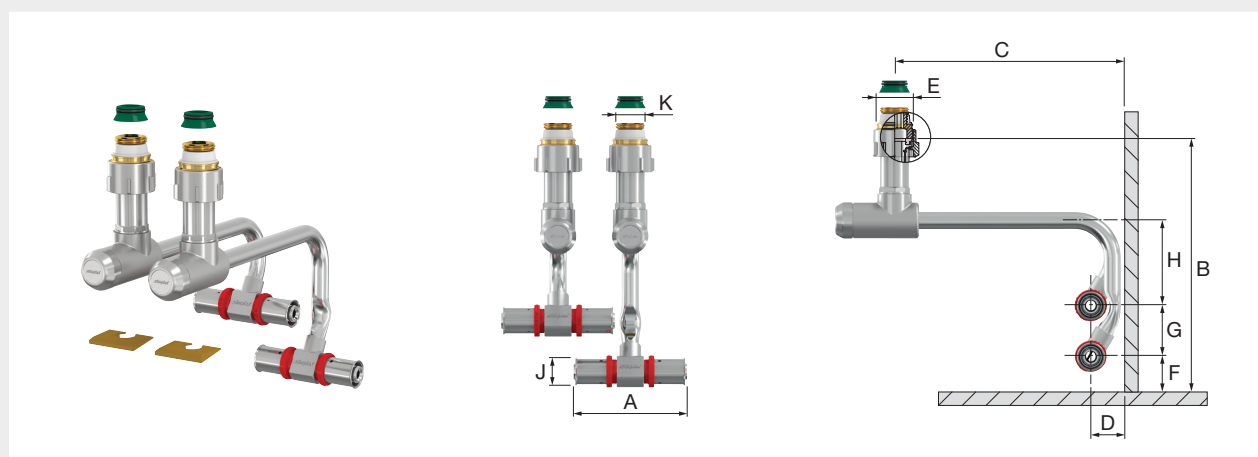
Consisting of:


- 2 pcs. telescopic angle valves with height and depth adjustment
- 1 pc. supply connection with soldered copper bow (nickel-plated) Ø 12 mm
- 1 pc. return connection with soldered copper bow (nickel-plated) Ø 12 mm
- 2 pcs. self-sealing connection nipples for radiators with Rp 1/2" female thread
- 2 pcs. cone inserts for radiators with G 3/4" M male thread
- 2 pcs. ea. covering rosettes in white, beech and oak dark

- Components made of nickel-plated brass
- Sealing materials: EPDM
- Max. operating temp.: 110 °C permanent temperature, 130 °C short-term
- Max. operating pressure: 10 bar

VK 31 UNI Connection Kit U/TH/F/H

PG = 713



Type	E	Connection	J [mm]		Article no.
VK31 Connect. U/TH/F/H - 16	G 3/4" F	K G 1/2" M	16 x 2	1 / 10	F13482
VK31 Connect. U/TH/F/H - 20	G 3/4" F	K G 1/2" M	20 x 2	1 / 10	F13481



Dimensions

For radiators with integrated valve with connection	Dimensions [mm]								
	A	B (min.)	B (max.)	C (min.)	C (max.)	D	F	G	H
Rp 1/2"	78.8	175	200	50	175	21.5	19	35	59
G 3/4" M	78.8	164	189	50	175	21.5	19	35	59

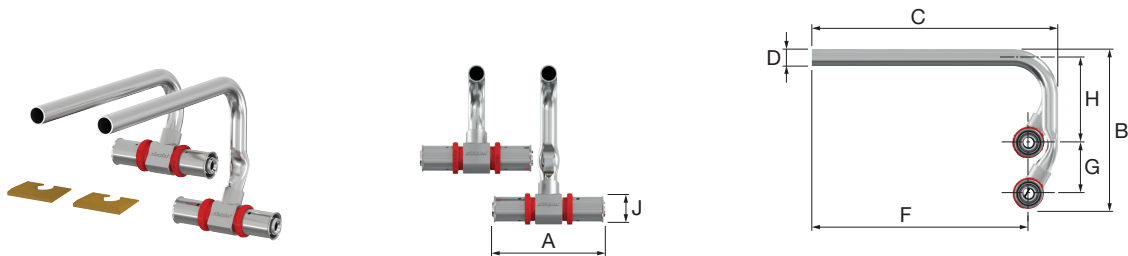
UNI BASEBOARD CONNECTION U/TH/F/H


Baseboard connection with press connection for U, TH, F and H profile, for plastic and multilayer composite pipes, for radiators with integrated valve (two-pipe system), consisting of:

- 1 pc. supply connection with soldered copper bow (nickel-plated) Ø 12 mm
- 1 pc. return connection with soldered copper bow (nickel-plated) Ø 12 mm
- 2 pcs. ea. covering rosettes in white, beech and oak dark
- Components made of nickel-plated brass
- Sealing materials: EPDM
- Max. operating temp.: 110 °C permanent temperature, 130 °C short-term
- Max. operating pressure: 10 bar

UNI Baseboard Connection U/TH/F/H

PG = 713



Type	Connection [mm]		Dimensions [mm]							Article no.
	D (pipe end)	J	A	B	C	F	G	H		
Connection U/TH/F/H - 16	12	16 x 2	78.8	113.5	171	150	35	59	1 / 10	F13484
Connection U/TH/F/H - 20	12	20 x 2	78.8	113.5	171	150	35	59	1 / 10	F13483



VK 31 CONNECTION KIT WITH TECTITE PUSH-FIT CONNECTION

Baseboard connection kit for the installation of radiators with integrated valve (two-pipe system), with TECTITE push-fit connection for copper, carbon steel and stainless steel pipes.

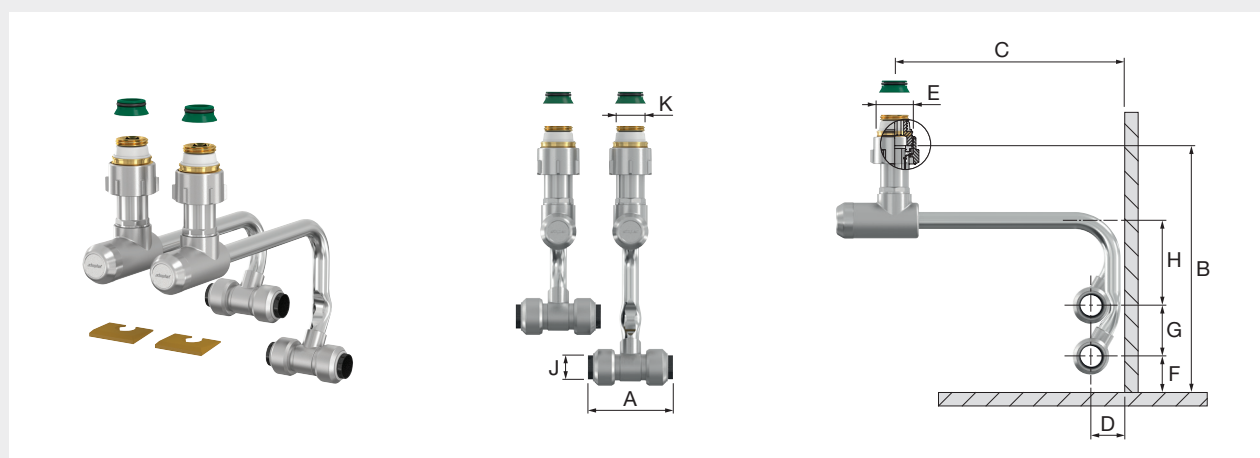
Consisting of:


- 2 pcs. telescopic angle valves with height and depth adjustment
 - 1 pc. supply connection with soldered copper bow (nickel-plated) Ø 12 mm
 - 1 pc. return connection with soldered copper bow (nickel-plated) Ø 12 mm
 - 2 pcs. self-sealing connection nipples for radiators with Rp 1/2" female thread
 - 2 pcs. cone inserts for radiators with G 3/4" M male thread
 - 2 pcs. ea. covering rosettes in white, beech and oak dark
 - 1 pc. TECTITE demounting tool
- Components made of nickel-plated brass
 - Sealing materials: EPDM
 - Max. operating temp.: 110 °C permanent temperature, 130 °C short-term
 - Max. operating pressure: 10 bar
- Direct insertion of connecting pipe using TECTITE push-fit connection without tools
 - Connection rotatable and detachable with TECTITE demounting clip
 - Practically proven push-fit technology

→ Matching end plugs see *Accessories for Baseboard Connection Valves*, TECTITE universal tool see *Tools!*

VK 31 Connection Kit with TECTITE Push-fit Connection

PG = 713



Type	Connection			J [mm]		Article no.
	E	K				
VK31 Connect. TECTITE - 15	G 3/4" F	G 1/2" M		15	1 / 10	F13460
VK31 Connect. TECTITE - 18	G 3/4" F	G 1/2" M		18	1 / 10	F13461



Dimensions

For radiators with integrated valve with connection	Dimensions [mm]								
	A	B (min.)	B (max.)	C (min.)	C (max.)	D	F	G	H
Rp 1/2"	60	175	200	50	175	21.5	19	35	59
G 3/4" M	60	164	189	50	175	21.5	19	35	59

BASEBOARD CONNECTION WITH TECTITE PUSH-FIT CONNECTION

Baseboard connection with TECTITE push-fit connection for copper, carbon steel and stainless steel pipe, for radiators with integrated valve (two-pipe system), consisting of:

- 1 pc. supply connection with soldered copper bow (nickel-plated) Ø 12 mm
- 1 pc. return connection with soldered copper bow (nickel-plated) Ø 12 mm
- 2 pcs. ea. covering rosettes in white, beech and oak dark
- 1 pc. TECTITE demounting tool

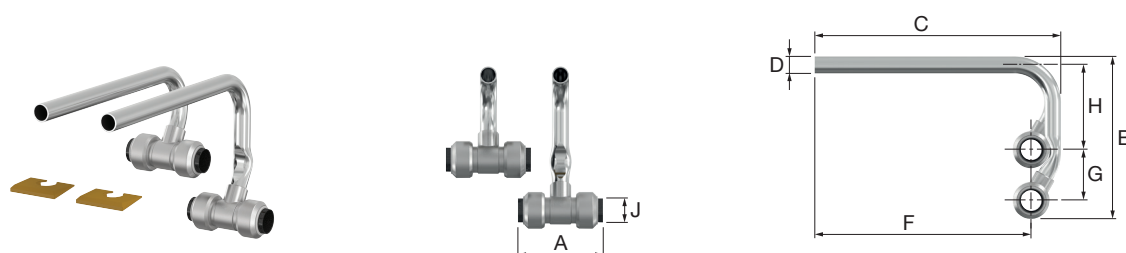
- Components made of nickel-plated brass
- Sealing materials: EPDM
- Max. operating temp.: 110 °C permanent temperature, 130 °C short-term
- Max. operating pressure: 10 bar


- Direct insertion of connecting pipe using TECTITE push-fit connection without tools
- Connection rotatable and detachable with TECTITE demounting clip
- Practically proven push-fit technology

→ Matching end plugs see *Accessories for Baseboard Connection Valves*, TECTITE universal tool see *Tools!*

Baseboard Connection with TECTITE Push-fit Connection

PG = 713



Type	Connection [mm]		Dimensions [mm]							Article no.
	D (pipe end)	J	A	B	C	F	G	H		
Connection TECTITE - 15	12	15	60	114.5	171	150	35	59	1 / 10	F13459
Connection TECTITE - 18	12	18	60	114.5	171	150	35	59	1 / 10	F13462



VK 31 CONNECTION KIT WITH FEMALE THREAD

Baseboard connection kit for the installation of radiators with integrated valves (two-pipe system), with G 1/2" female thread, with connection options for all current types of pipe (using transition adapters of the respective pipe manufacturer).

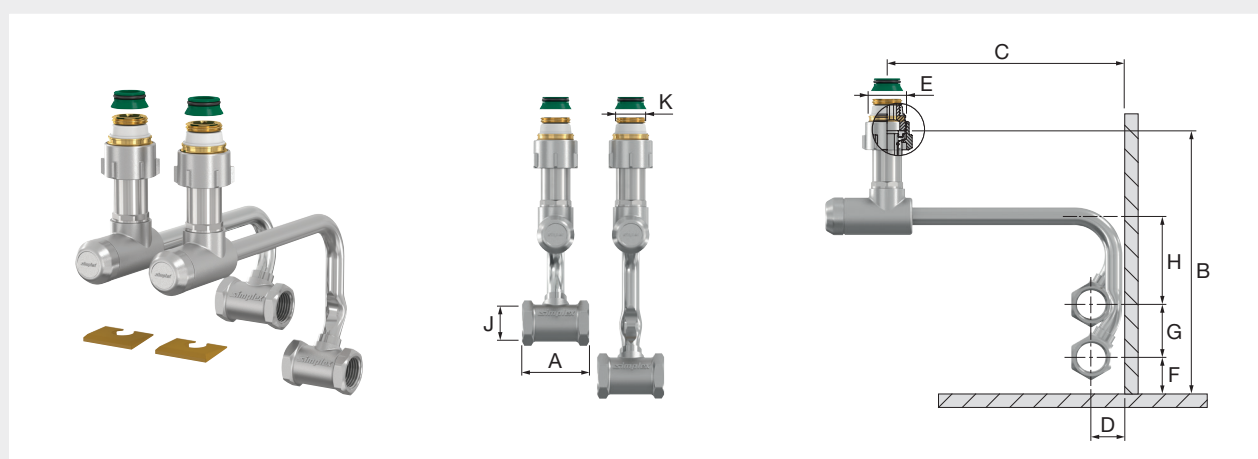
Consisting of:


- 2 pcs. telescopic angle valves with height and depth adjustment
- 1 pc. supply connection with soldered copper bow (nickel-plated) Ø 12 mm
- 1 pc. return connection with soldered copper bow (nickel-plated) Ø 12 mm
- 2 pcs. self-sealing connection nipples for radiators with Rp 1/2" female thread
- 2 pcs. cone inserts for radiators with G 3/4" M male thread
- 2 pcs. ea. covering rosettes in white, beech and oak dark

- Components made of nickel-plated brass
- Sealing materials: EPDM
- Max. operating temp.: 110 °C permanent temperature, 130 °C short-term
- Max. operating pressure: 10 bar

VK 31 Connection Kit with Female Thread

PG = 713



Type	E	Connection	J		Article no.
VK31 Connection F	G 3/4" F	K G 1/2" M	G 1/2" F	1 / 10	F13485



Dimensions

For radiators with integrated valve with connection	Dimensions [mm]								
	A	B (min.)	B (max.)	C (min.)	C (max.)	D	F	G	H
Rp 1/2"	45	175	200	50	175	21.5	19	35	59
G 3/4" M	45	164	189	50	175	21.5	19	35	59

BASEBOARD CONNECTION WITH FEMALE THREAD

Baseboard connection with G 1/2" female thread, with connection options for all current types of pipe (using transition adapters of the respective pipe manufacturer), for radiators with integrated valve (two-pipe system).

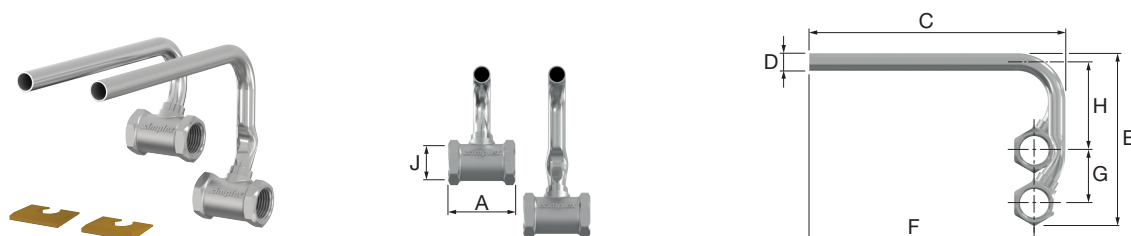
Consisting of:


- 1 pc. supply connection with soldered copper bow (nickel-plated) Ø 12 mm
- 1 pc. return connection with soldered copper bow (nickel-plated) Ø 12 mm
- 2 pcs. ea. covering rosettes in white, beech and oak dark

- Components made of nickel-plated brass
- Sealing materials: EPDM
- Max. operating temp.: 110 °C permanent temperature, 130 °C short-term
- Max. operating pressure: 10 bar

Baseboard Connection with Female Thread

PG = 713



Type	Connection		Dimensions [mm]							Article no.
	D (pipe end) [mm]	J	A	B	C	F	G	H		
Connection F	12	G 1/2" F	45	115	171	150	35	59	1 / 10	F13486



VK 31 SIROCON CONNECTION KIT

Baseboard connection kit for the installation of radiators with integrated valve (two-pipe system), with SIROCON connection. Consisting of:

- 2 pcs. telescopic angle valves with height and depth adjustment
- 1 pc. supply connection with soldered copper bow (nickel-plated) Ø 12 mm
- 1 pc. return connection with soldered copper bow (nickel-plated) Ø 12 mm.
- 2 pcs. self-sealing connection nipples for radiators with Rp 1/2" female thread
- 2 pcs. cone inserts for radiators with G 3/4" M male thread
- 2 pcs. ea. covering rosettes in white, beech and oak dark

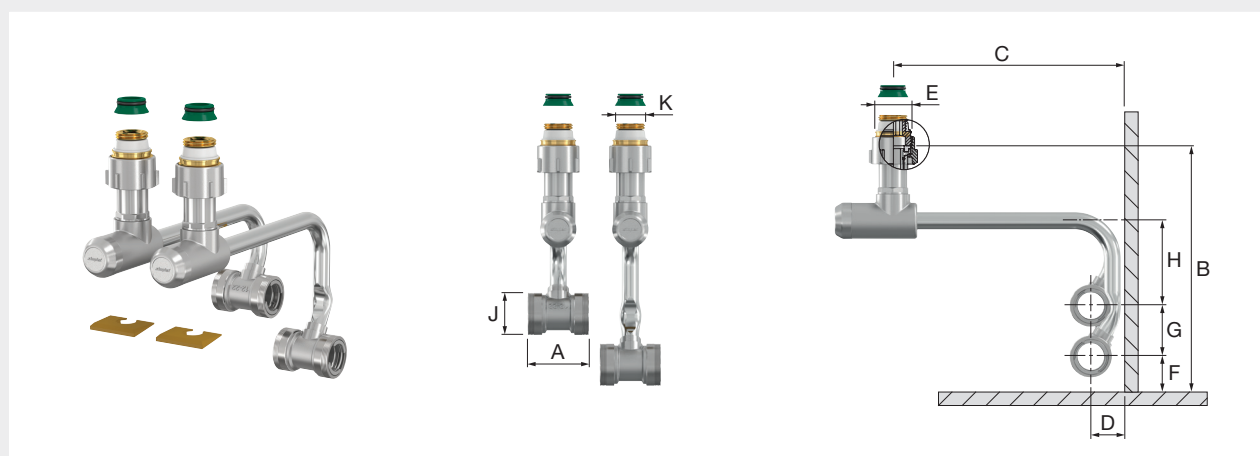
- Components made of nickel-plated brass
- Sealing materials: EPDM
- Max. operating temp.: 110 °C permanent temperature, 130 °C short-term
- Max. operating pressure: 10 bar


- Dimensionless push-fit fittings
- Easy installation due to plug adapter for screwing and pressing
- Universal connection for different pipe materials and dimensions

→ Matching adapters see *Accessories for Baseboard Connection Valves!*

VK 31 SIROCON Connection Kit

PG = 713



Type	E	Connection	K	J		Article no.
VK31 SIROCON Connection	G 3/4" F		G 1/2" M	SIROCON	1 / 10	F13450



Dimensions

For radiators with integrated valve with connection	Dimensions [mm]								
	A	B (min.)	B (max.)	C (min.)	C (max.)	D	F	G	H
Rp 1/2"	42.6	175	200	50	175	21.5	19	35	59
G 3/4" M	42.6	164	189	50	175	21.5	19	35	59

SIROCON System Adapters

The crucial technical and financial advantages

- Press anywhere

Press connections are even possible in narrow and hard to reach places. Quick and easy work. Assembly and pressing mistakes are largely avoided.

- Dimensionless push-fit fittings

Low stock time. Extensive applications.

- Wide system range

Adapters for copper, carbon steel, stainless steel, plastic and multilayer composite pipes, transitions to male thread, female thread and Euro taper.

- Frictional, detachable connection

Press connection with frictional push-fit connector. Detachable connection secured against unintentional disassembly. Double O-ring seal.

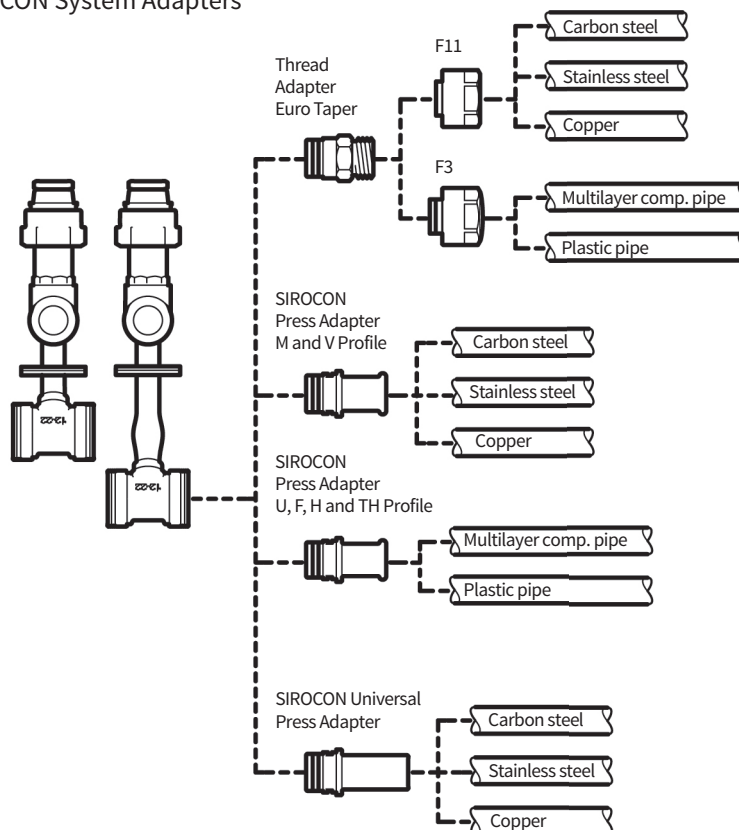
- System adaptations

The SIROCON press/push-fit system can be ideally combined with existing systems. For this purpose Simplex provides system adapters for different systems, thus saving storage capacity and the variety may be used optimally.

- Guarantee

When using system adapters, Simplex assumes the guarantee obligation for push-fit connection parts. A guarantee obligation for the pipe press connections is handled by the respective system manufacturer according to their guarantee agreements. The system manufacturer's installation instructions must be observed.

Connection Possibilities with SIROCON System Adapters



SIROCON BASEBOARD CONNECTION

Baseboard connection with SIROCON connection for radiators with integrated valve (two-pipe system), consisting of:

- 1 pc. supply connection with soldered copper bow (nickel-plated) Ø 12 mm
- 1 pc. return connection with soldered copper bow (nickel-plated) Ø 12 mm
- 2 pcs. ea. covering rosettes in white, beech and oak dark

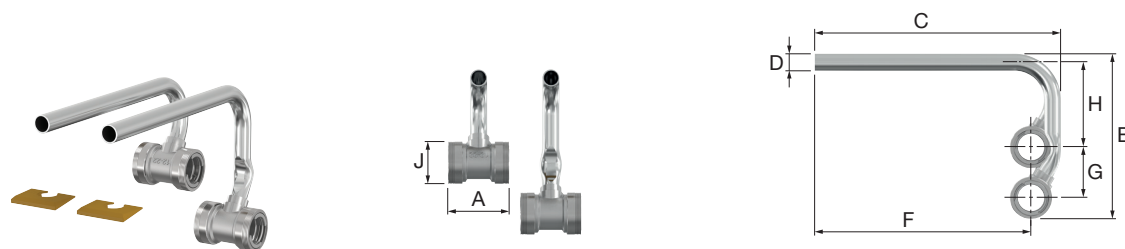
- Components made of nickel-plated brass
- Sealing materials: EPDM
- Max. operating temp.: 110 °C permanent temperature, 130 °C short-term
- Max. operating pressure: 10 bar


- Dimensionless push-fit fittings
- Easy installation due to plug adapter for screwing and pressing
- Universal connection for different pipe materials and dimensions

→ **Matching adapters see Accessories for Baseboard Connection Valves!**

SIROCON Baseboard Connection

PG = 713



Type	Connection [mm]		Dimensions [mm]							Article no.
	D (pipe end) [mm]	J	A	B	C	F	G	H		
Connection SIROCON	12	SIROCON	42.6	115	171	150	35	59	1 / 10	F13452



→ **Rosettes see Spare Parts!**

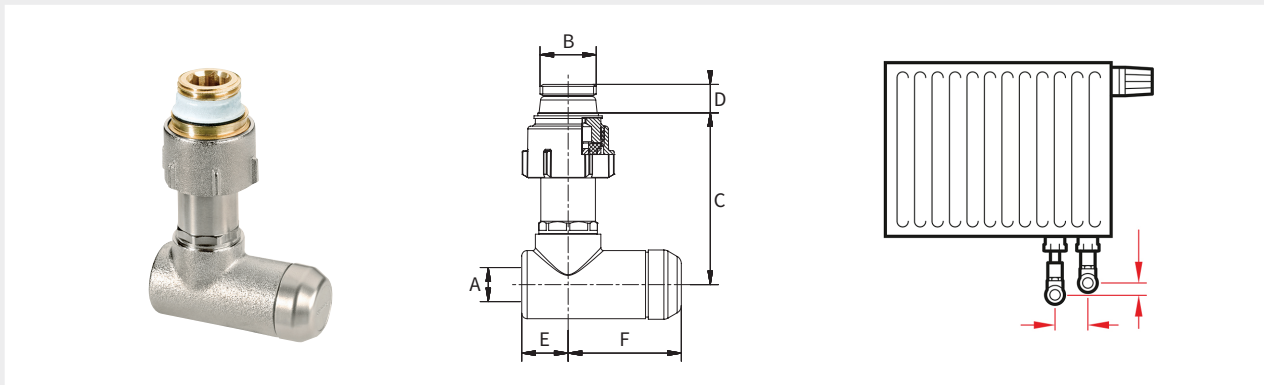
TELESCOPIC ANGLE VALVES


- Components made of nickel-plated brass
- Sealing materials: EPDM
- Max. operating temp.: 110 °C permanent temperature, 130 °C short-term
- Max. operating pressure: 10 bar

Telescopic Angle Valve Type EV1

PG = 713

Adjustable shut-off connection, suitable for Simplex baseboard connections 12 mm, height adjustment (25 mm), depth adjustment (13 mm), integrated compression adapter 12 x 1 mm.
With self-sealing connection nipples for radiators with integrated valve with Rp 1/2" connection.

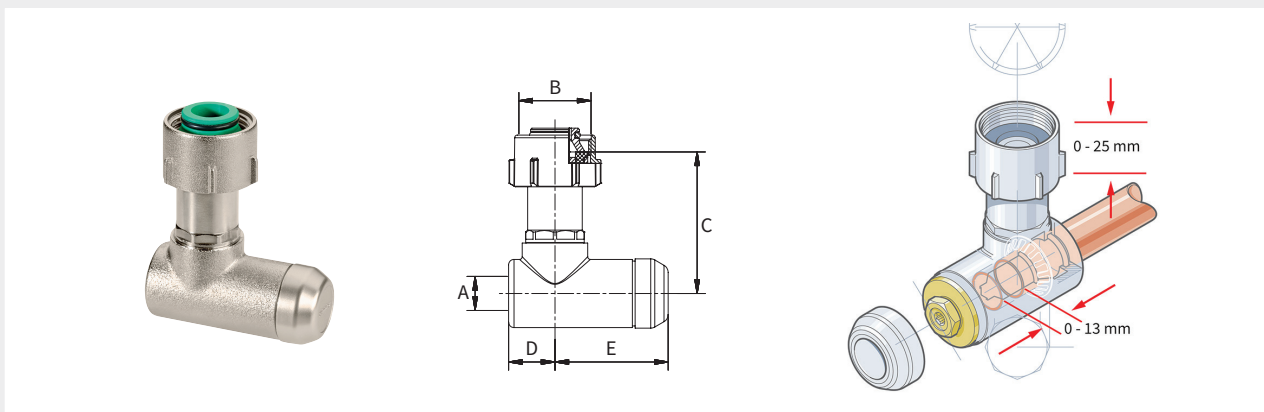



Type	Connection		Dimensions [mm]						Article no.
	B	A (Ø) [mm]	C (min.)	C (max.)	D	E	F		
Telescopic Angle Valve EV1	G 1/2" M	12	63	88	11	17	42	1 / 5	F13427



Telescopic Angle Valve Type EV2

Adjustable shut-off connection, suitable for Simplex baseboard connections 12 mm, height adjustment (25 mm), depth adjustment (13 mm), integrated compression adapter 12 x 1 mm.
With cone inserts for radiators with integrated valve with G 3/4" M (Euro taper) connection.



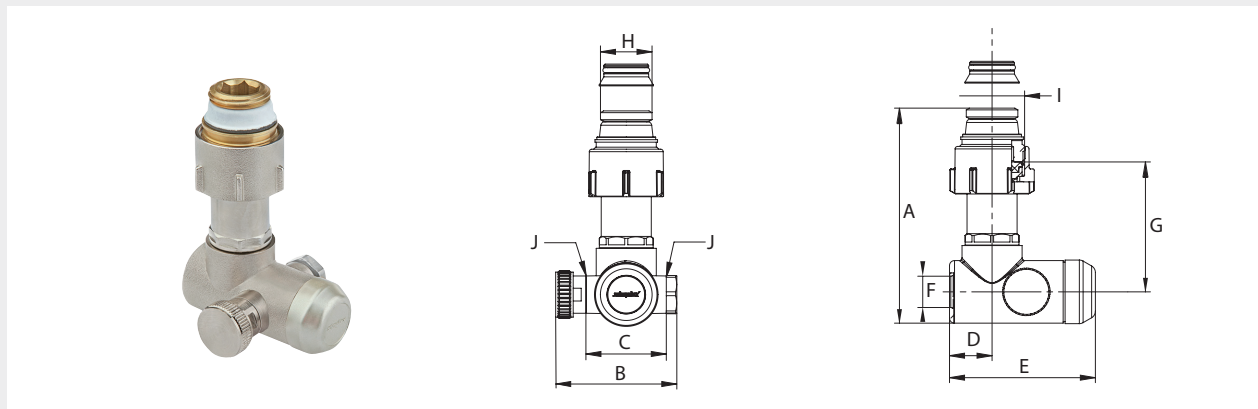
Type	Connection		Dimensions [mm]						Article no.
	B	A (Ø) [mm]	C (min.)	C (max.)	D	E			
Telescopic Angle Valve EV2	G 3/4" F	12	63	88	17	42	1 / 5	F13428	




Telescopic Angle Valve with Drain

PG = 713

Adjustable shut-off connection with drain, suitable for Simplex baseboard connections 12 mm, height adjustment (25 mm), depth adjustment (13 mm), integrated compression adapter 12 x 1 mm, drain can be installed on the right or left, incl. drain plug and blind plug. With self-sealing connection nipples and cone inserts for radiator connections with Rp 1/2" or G 3/4" M (Euro taper) connection.



Type	Connection			J		Article no.
	H	I	F (Ø) [mm]			
Telesc. Angle Valve w. Drain	G 1/2" M	G 3/4" F	12	G 3/4" F	1 / 5	F13445



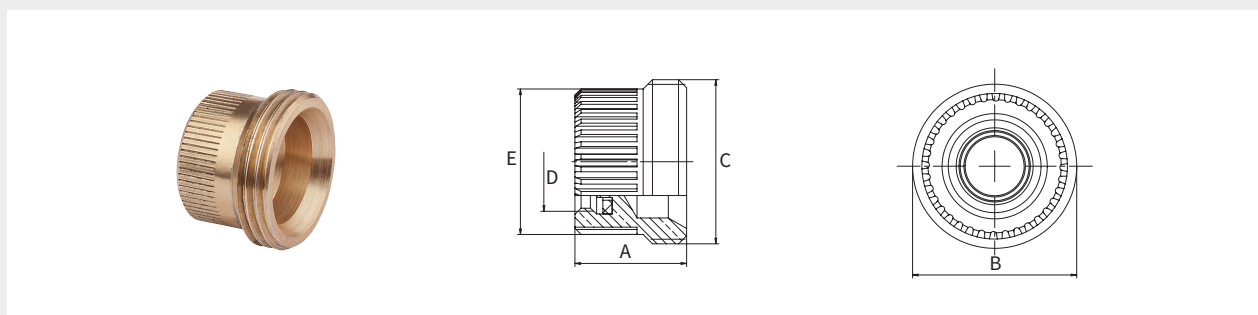
Dimensions

Type	Dimensions [mm]							
	A (min.)	A (max.)	B	C	D	E	G (min.)	G (max.)
Telesc. Angle Valve w. Drain	76	101	49	32.5	17	59	63	88

Adapter for Fill and Drain Plug

Adapter for connecting a standard hose connection to the telescopic angle valve with drain F13445 or the fill and drain plug F13446.

- Components made of brass
- Sealing materials: EPDM
- Max. operating temp.: 110 °C permanent temperature, 130 °C short-term
- Max. operating pressure: 10 bar



Type	Connection		Dimensions [mm]				Article no.
	C (ET)	D	A	B	E		
Adapter Fill+Drain Plug	G 3/4" M	G 3/8" F	18	26.5	23.5	1 / 10	F13447

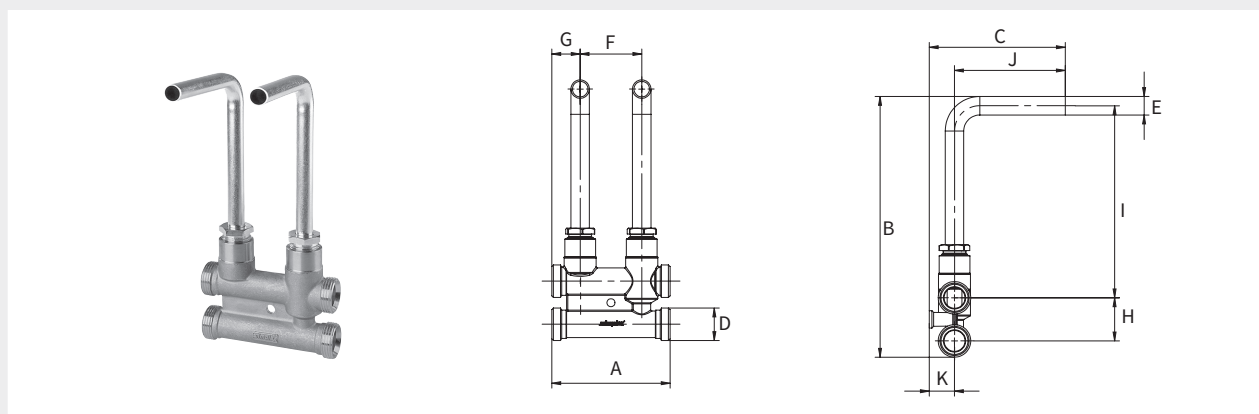


SL-MULTI CONNECTION KIT

SL-MULTI Connection Kit

Baseboard connection kit for the installation of radiators with integrated valves (two-pipe system), with galvanised carbon steel connection elbows, radiator-side connection with Simplex connection valves as angle versions (except H-module for one-pipe system), e.g. MULTIGRIP H-module F13424 or EXCLUSIV H-module F10012, universal connection for copper, carbon steel, plastic and multilayer composite pipes in conjunction with Simplex compression adapters (F11 and F3 series).

- Components made of nickel-plated brass and galvanised carbon steel
- Max. operating temp.: 110 °C permanent temperature, 130 °C short-term
- Max. operating pressure: 10 bar



Type	Connection	D (ET)	E (Ø) [mm]		Article no.
SL-MULTI Connection		G 3/4" M	15	1 / 5	F10050

Dimensions



Type	Dimensions [mm]								
	A	B	C	F	G	H	I	J	K
SL-MULTI Connection	96	212	110.5	50	23	35	156	90	20.5

Covering Rosettes for SL-MULTI Baseboard Cut-out

PG = 770

Covering rosette for Simplex baseboards.

- Material: Plastic



Type	Colour	Dimensions [mm]		Article no.
Rosette SL-MULTI - W	white*	15	10	F72074
Rosette SL-MULTI - G	grey	15	10	F72075
Rosette SL-MULTI - B	light brown	15	10	F72076

* similar to RAL 9016



ACCESSORIES FOR BASEBOARD CONNECTION VALVES

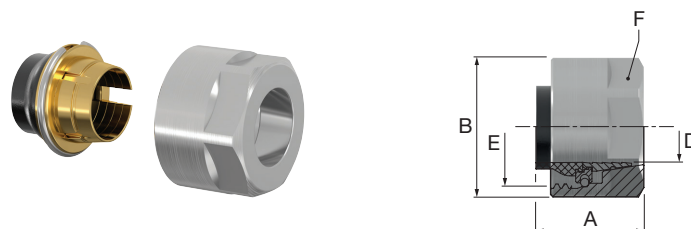
5

F11 Compression Adapter Set

PG = 702

2 pcs. compression adapters for use behind Simplex baseboards in heating systems, for blank, nickel- and chrome-plated copper pipes, carbon steel pipes and stainless steel pipes, suitable for G 3/4" M Euro taper, elastic seal, extended clamp rings for high pull forces, no support sleeves required, ribbed nut (wrench size 27 mm), with fixed stop, 2-step function: sealing - clamping.

- Components made of nickel-plated brass
- Sealing materials: EPDM
- Max. operating temp.: 110 °C permanent temperature, 130 °C short-term
- Max. operating pressure: 10 bar
- High pulling forces specifically with hard pipe surfaces
- No torque specifications
- Gentle pipe connection without deformation of the connecting pipe
- Detachable connection
- Permanent seal thanks to uniquely developed raw material formula for sealing element



Type	Connection		Dimensions			[Set]	Article no.
	E (ET)	D [mm]	A [mm]	B [mm]	F (WS) [mm]		
KV F11 - 12 x 1	G 3/4" F	12 x 1	23.1	Ø 30	27	20	F11121
KV F11 - 14 x 1	G 3/4" F	14 x 1	23.1	Ø 30	27	20	F11122
KV F11 - 15 x 1	G 3/4" F	15 x 1	23.1	Ø 30	27	20	F11120
KV F11 - 16 x 1	G 3/4" F	16 x 1	23.1	Ø 30	27	20	F11123
KV F11 - 18 x 1	G 3/4" F	18 x 1	20.0	Ø 30	27	20	F11124

F11124 with fixed stop, without 2-step technology.



A11, F11, A1 Compression Adapters - Appropriate Pipes

Pipe	Version	A11, F11	A1
Copper pipe according to DIN EN 1057 (soft, semi-hard, hard)	blank	✓	✓
	nickel-plated	✓	-
	chrome-plated	✓*	-
Carbon steel pipe according to DIN EN 10305	blank	✓	✓
	zinc-plated	✓	✓
Stainless steel pipe according to DIN EN 10312	-	✓	-

* Limitations on chrome-plated copper pipes: Dimensions 14-18 mm only for semi-hard and hard copper pipes

F3 Compression Adapter Set

PG = 702

2 pcs. compression adapters for use behind Simplex baseboards in heating systems, for plastic and multilayer composite pipes, suitable for G 3/4" M Euro taper, consisting of nut (wrench size 27 mm), plastic clamp ring and sleeve, O-ring seal on the sleeve, with fixed stop.

- Components made of nickel-plated brass
- Sealing materials: EPDM
- Pressure or temperature stress according to pipe manufacturer specifications

→ **Calibration arbor see Tools!**

Appropriate pipes

The Simplex Armaturen & Systeme GmbH has no access to technical modifications by the pipe manufacturer and therefore reserves the right make adjustments and technical amendments to the compression adapters.

For material specifications please refer to the relevant pipe manufacturer's specifications. Pipes which meet the following technical requirements are generally suitable.

DIN 16833/16834 - Pipes made of Polyethylene with raised temperature resistance (PE-RT) - general quality requirements and testing, dimensions

DIN 16892 - Pipes of cross-linked high density Polyethylene (PE-X) - general quality requirements and testing

DIN 16893 - Pipes of cross-linked high density Polyethylene (PE-X) - dimensions

DIN 16894 - Pipes of cross-linked medium density Polyethylene (PE-MDX) - general quality requirements and testing

DIN EN ISO 15875 - Plastic piping systems for cold and hot water systems - cross-linked Polyethylene (PE-X)

DIN EN ISO 15874 - Plastic piping systems for cold and hot water systems - Polypropylene (PP)

DIN EN ISO 15876 - Plastic piping systems for cold and hot water systems - Polybutylene (PB)

DIN EN ISO 15877 - Plastic piping systems for cold and hot water systems - Chlorinated Polyvinyl Chloride (CPVC)

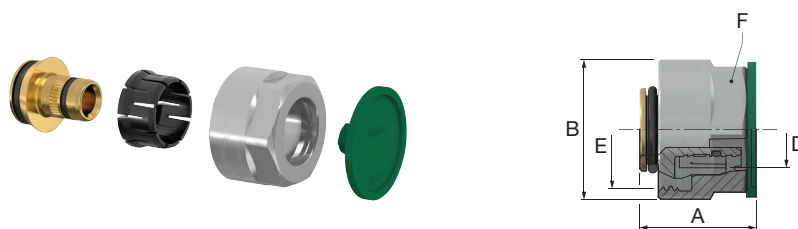
DIN 16836 - Multilayer composite pipes - Polyolefin-aluminum composite pipes


DIN 16837 - Multilayer composite pipes - multilayer plastic composite pipes

DIN EN ISO 21003-2 - Multilayer piping systems for hot and cold water systems inside of buildings - Part 2: Pipes (ISO 21003-2:2008);

German version EN ISO 21003-2:2008

Version 2011 - Changes, mistakes and additions reserved



Type	Connection		Dimensions			 [Set]	Article no.
	E (ET)	D [mm]	A [mm]	B [mm]	F (WS) [mm]		
KV F3 - 12 x 2.0	G 3/4" F	12 x 2.0	24.5	30	27	20	F11460
KV F3 - 14 x 2.0	G 3/4" F	14 x 2.0	24.5	30	27	20	F11461
KV F3 - 16 x 1.5	G 3/4" F	16 x 1.5	24.5	30	27	20	F11467
KV F3 - 16 x 2.0	G 3/4" F	16 x 2.0	25.0	30	27	20	F11462
KV F3 - 16 x 2.2	G 3/4" F	16 x 2.2	24.5	30	27	20	F11464
KV F3 - 17 x 2.0	G 3/4" F	17 x 2.0	24.5	30	27	20	F11463
KV F3 - 17 x 2.5	G 3/4" F	17 x 2.5	24.5	30	27	20	F11456
KV F3 - 18 x 2.0	G 3/4" F	18 x 2.0	24.5	30	27	20	F11459
KV F3 - 20 x 2.0	G 3/4" F	20 x 2.0	24.5	30	27	20	F11465
KV F3 - 20 x 2.25	G 3/4" F	20 x 2.25	24.5	30	27	20	F11457
KV F3 - 20 x 2.5	G 3/4" F	20 x 2.5	24.5	30	27	20	F11469
KV F3 - 20 x 2.8	G 3/4" F	20 x 2.8	24.5	30	27	20	F11468

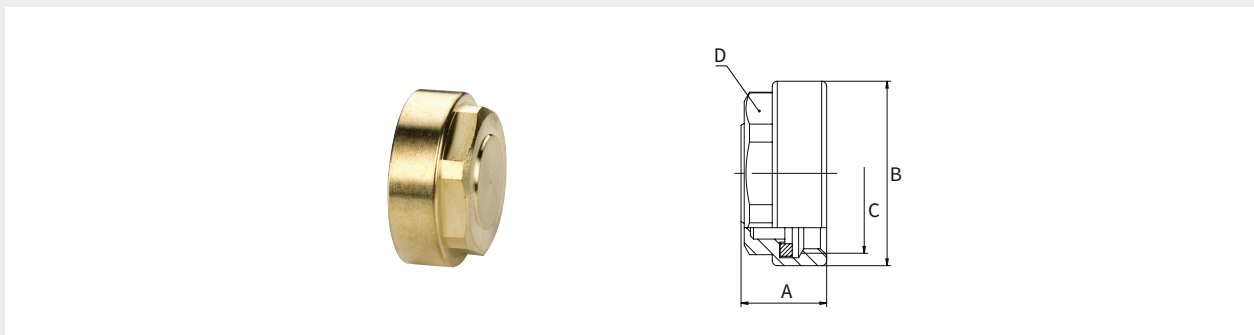



Blind Cap DN 20

PG = 713

Blind cap for closing the VK 31 Euro taper connection kit and the SL-MULTI connection kit on the loop end.

- Components made of brass
- Sealing materials: SBR
- Max. operating temp.: 110 °C permanent temperature, 130 °C short-term
- Max. operating pressure: 10 bar



Type	Connection C (ET)	Dimensions [mm]				Article no.
		A	B	D (WS)		
Blind Cap DN 20	G 3/4" F	13.7	29.5	24	2 / 10	F10399

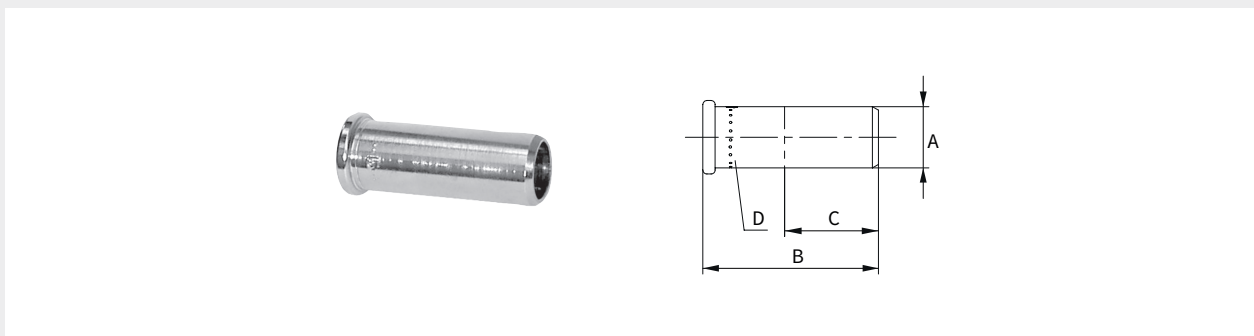



End Plug for VK 31 Connection Kits with Push-fit and Press Connection

PG = 713

End plug for closing the last radiator valve on the run of pipes.

- Components made of nickel-plated brass
- Max. operating temp.: 110 °C permanent temperature, 130 °C short-term
- Max. operating pressure: 10 bar



Type	Dimensions [mm]					Article no.
	A (∅)	B	C*	D		
End Plug VK31 - 15	15	43	23	15	10	F13466
End Plug VK31 - 18	18	45	24	18	2	F13467

* Insertion depth

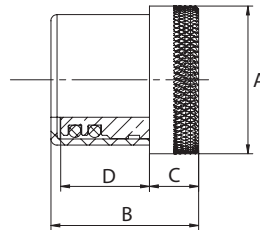


SIROCON Blind Plug

PG = 713

Blind plug for closing the SIROCON connections on the loop end.

- Components made of brass
- Sealing materials: EPDM
- Max. operating temp.: 110 °C permanent temperature, 130 °C short-term
- Max. operating pressure: 10 bar



Type	Dimensions [mm]					Article no.
	A (∅)	B	C	D		
SIROCON Blind Plug	24	24	8	14	10	F13425

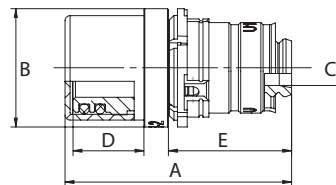


SIROCON Press Adapter for Unipipe U Profile

PG = 713

Adapter for Unipipe pipes with system guarantee.

- Components made of brass
- Sealing materials: EPDM
- Max. operating temp.: 110 °C permanent temperature, 130 °C short-term
- Max. operating pressure: 10 bar



Type	Connection [mm]	Dimensions [mm]						Article no.
		A	B (∅)	C (∅)	D	E		
SIROCON Adapter U - 16	16 x 2	46	24	7	14	25	10	F13201
SIROCON Adapter U - 20	20 x 2.25	50	28	10	14	26	10	F13203

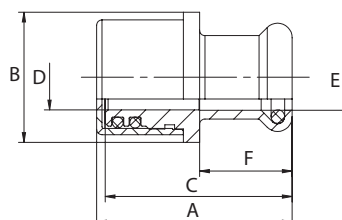



SIROCON Press Adapter for M and V Profile

PG = 713

Adapter for copper, carbon steel and stainless steel pipes.

- Components made of gun metal
- Sealing materials: EPDM
- Max. operating temp.: 110 °C permanent temperature, 130 °C short-term
- Max. operating pressure: 10 bar



Type	Connection E (Ø) [mm]	Dimensions [mm]						Article no.
		A	B (Ø)	C	D (Ø)	F		
SIROCON Adapter M/V - 12	12	36.0	24	34.5	12	17	10	F13111
SIROCON Adapter M/V - 15	15	36.0	24	34.5	12	17	10	F13112
SIROCON Adapter M/V - 18	18	39.5	26	38.0	12	20	10	F13113
SIROCON Adapter M/V - 22	22	46.0	28	44.0	12	24	10	F13114

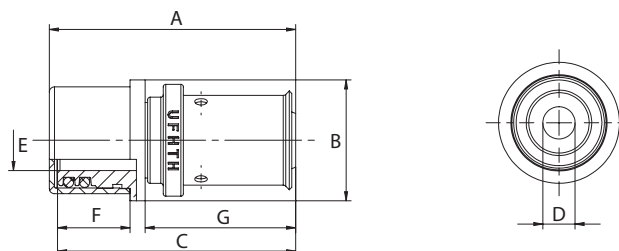



SIROCON Press Adapter for U, F, H and TH Profile

PG = 713

Adapter for plastic and multilayer composite pipes.

- Components made of brass and stainless steel
- Sealing materials: EPDM
- Max. operating temp.: 110 °C permanent temperature, 130 °C short-term
- Max. operating pressure: 10 bar
- For more technical information about suitable pipes see the installation instructions



Type	Connection [mm]	Dimensions [mm]								Article no.
		A	B (Ø)	C	D (Ø)	E (Ø)	F	G		
SIROC. Adapt. U/F/H/TH - 16	16 x 2	49	24	47.3	6.4	12	14.4	30	10	F13313
SIROC. Adapt. U/F/H/TH - 20	20 x 2	49	27	47.3	10.0	12	14.4	30	10	F13314

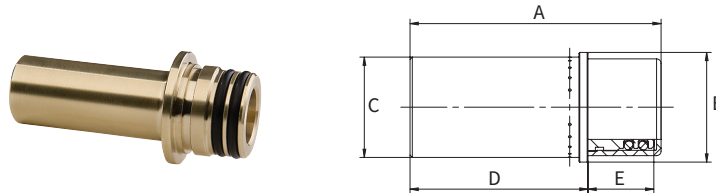


SIROCON Universal Press Adapter

PG = 713

Adapter for copper, carbon steel and stainless steel fittings.

- Components made of brass
- Sealing materials: EPDM
- Max. operating temp.: 110 °C permanent temperature, 130 °C short-term
- Max. operating pressure: 10 bar



Type	Connection C (Ø pipe end) [mm]	Dimensions [mm]					Article no.
		A	B (Ø)	D	E		
SIROCON Uni Adapter - 15	15	53	24	37	14.4	10/50	F13315
SIROCON Uni Adapter - 18	18	53	24	37	14.4	10/50	F13316
SIROCON Uni Adapter - 22	22	55	24	39	14.4	10/50	F13317

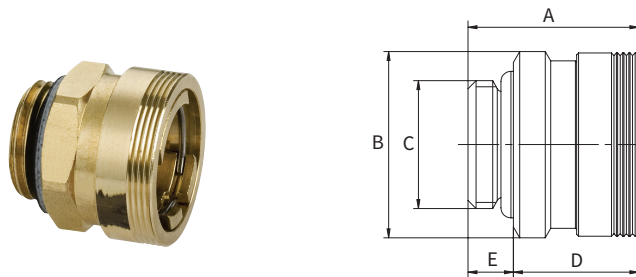


SIROCON Thread Coupling with Self-sealing Male Thread

PG = 713

Coupling with SIROCON push-fit connection.

- Components made of brass
- Sealing materials: EPDM
- Max. operating temp.: 110 °C permanent temperature, 130 °C short-term
- Max. operating pressure: 10 bar



Type	Connection (C)	Dimensions [mm]					Article no.
		A	B (Ø)	D	E		
SIROCON Coupling - G 1/2	G 1/2" M	27.5	30	20.2	7.3	10/200	F13840

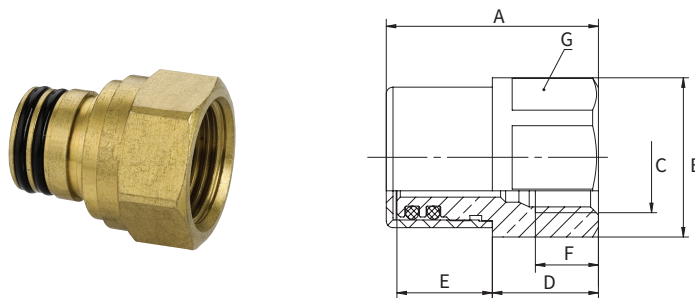


SIROCON Thread Adapter with Female Thread

PG = 713

Adapter with SIROCON push-fit connection.

- Components made of brass
- Sealing materials: EPDM
- Max. operating temp.: 110 °C permanent temperature, 130 °C short-term
- Max. operating pressure: 10 bar



Type	Connection (C)	Dimensions [mm]						Box	Article no.
		A	B (Ø)	D	E	F	G (WS)		
SIROCON Adapter - Rp 3/8	Rp 3/8"	32.0	24	16.0	14.4	9.5	22	10/200	F13101
SIROCON Adapter - Rp 1/2	Rp 1/2"	37.5	30	21.5	14.4	12.0	27	10/200	F13102
SIROCON Adapter - Rp 3/4	Rp 3/4"	39.0	35	22.6	14.4	11.5	32	10/200	F13103

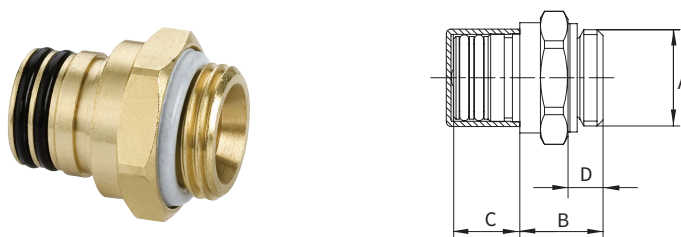


SIROCON Thread Adapter with Self-sealing Male Thread

PG = 713

Adapter with SIROCON push-fit connection.

- Components made of brass
- Sealing materials: EPDM with slide coating
- Max. operating temp.: 110 °C permanent temperature, 130 °C short-term
- Max. operating pressure: 10 bar



Type	Connection (A)	Dimensions [mm]			Box	Article no.
		B	C	D		
SIROCON Adapter - G 3/8	G 3/8" M	19	14	7	10/200	F13106
SIROCON Adapter - G 1/2	G 1/2" M	18	14	8	10/200	F13107
SIROCON Adapter - G 3/4	G 3/4" M	24	14	10	10/200	F13108

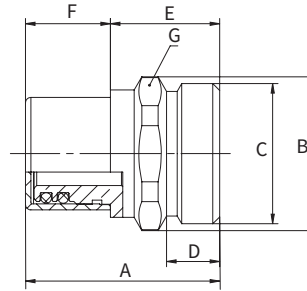



SIROCON Thread Adapter with Euro Taper

PG = 713

Adapter with SIROCON push-fit connection.

- Components made of brass
- Sealing materials: EPDM
- Max. operating temp.: 110 °C permanent temperature, 130 °C short-term
- Max. operating pressure: 10 bar



Type	Connection C (ET)	Dimensions [mm]							Article no.
		A	B (Ø)	D	E	F	G (WS)		
SIROCON Adapter - G 3/4 ET	G 3/4" M	36.6	29	10	20.6	16	27	10/200	F13170

